

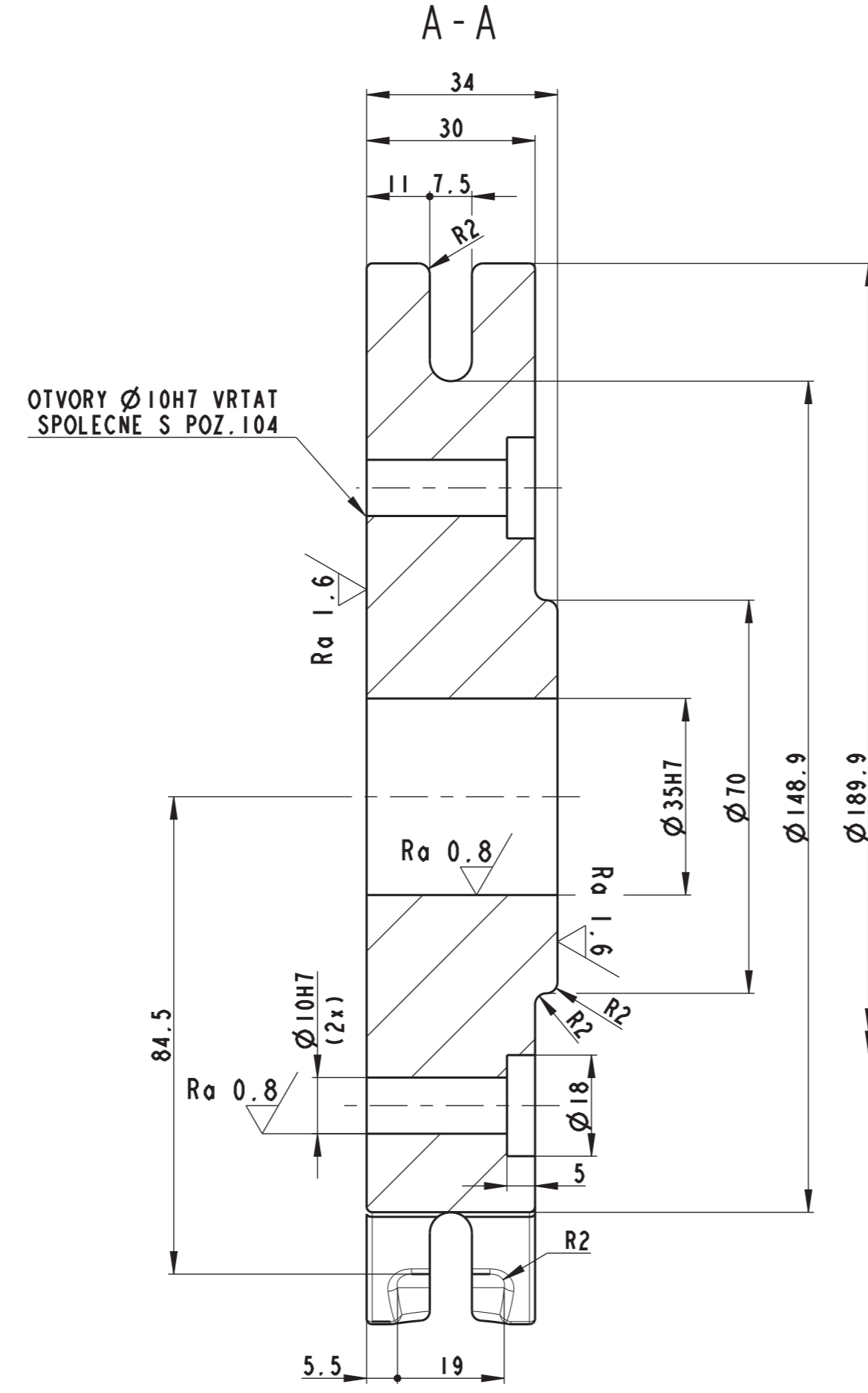
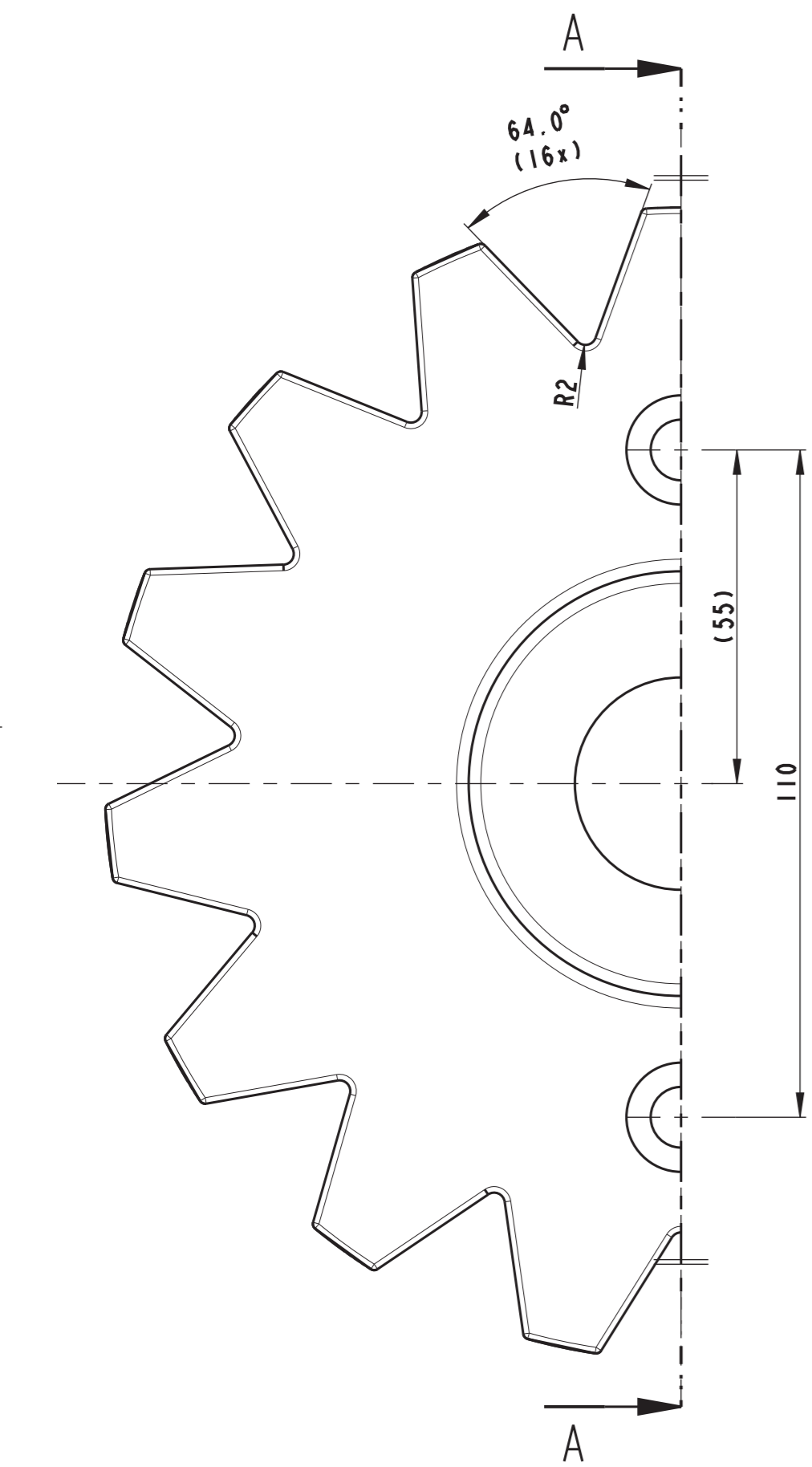
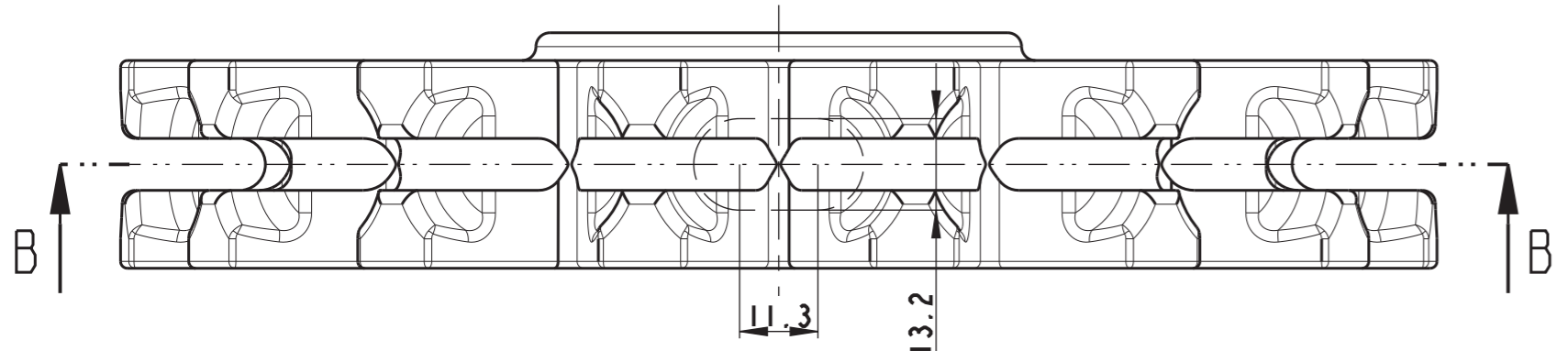
| | | | | | |
|-----|----|-----------------|-------------|---------|---|
| 122 | 1 | ZAVLACKA | 4x63 | DIN94 | N |
| 121 | 2 | BOCNICE DOLNI | 240x50x8 | I.0553 | V |
| 120 | - | NEKONECNY RETEZ | 6x8.5-26000 | DIN766 | N |
| 119 | 1 | HAK | VEL. I | GJL-200 | V |
| 118 | 1 | PRICNIK DOLNI | 47x30x80 | I.0060 | V |
| 117 | 1 | AXIALNI LOZISKO | 51105 | SKF | N |
| 116 | 1 | MATICE M20 | M20 | DIN935 | N |
| 115 | 1 | ZAVLACKA | 4x36 | DIN94 | N |
| 114 | 1 | KOLIK SPODNI | D25-80 | I.0060 | V |
| 113 | 1 | KLADKA | ODLITEK | GJL-200 | V |
| 112 | 2 | BOCNICE_VRCHNI | 50x385 | I.0553 | V |
| 111 | 16 | SROUB | M5x10 | DIN7991 | N |
| 110 | 2 | LIC. SROUB | (M8)10x50 | ISO7379 | N |
| 109 | 2 | MATICE M8 | M8 | DIN934 | N |
| 108 | 3 | KLUZNE POUZDRO | PSM 253535 | SKF | N |
| 107 | 4 | ROZPERKA | D60-6 | I.0553 | V |
| 106 | 1 | KOLIK VRCHNI | D25-110 | I.0060 | V |
| 105 | 1 | RETEZ. KOLO 15Z | ODLITEK | GJL-200 | V |
| 104 | 1 | RETEZ. KOLO 16Z | ODLITEK | GJL-200 | V |
| 103 | 8 | PRILOZKA | 20x25x4 | I.0553 | V |
| 102 | 1 | PRICNIK_VRCHNI | D50-110 | I.0553 | V |
| 101 | 1 | OKO M20 | M20 | DIN580 | N |

| Poz | Ks | List | Nazev | Rozmer | Mat./Norma | Pozn. |
|-----|----|------|-------|--------|------------|-------|
|-----|----|------|-------|--------|------------|-------|

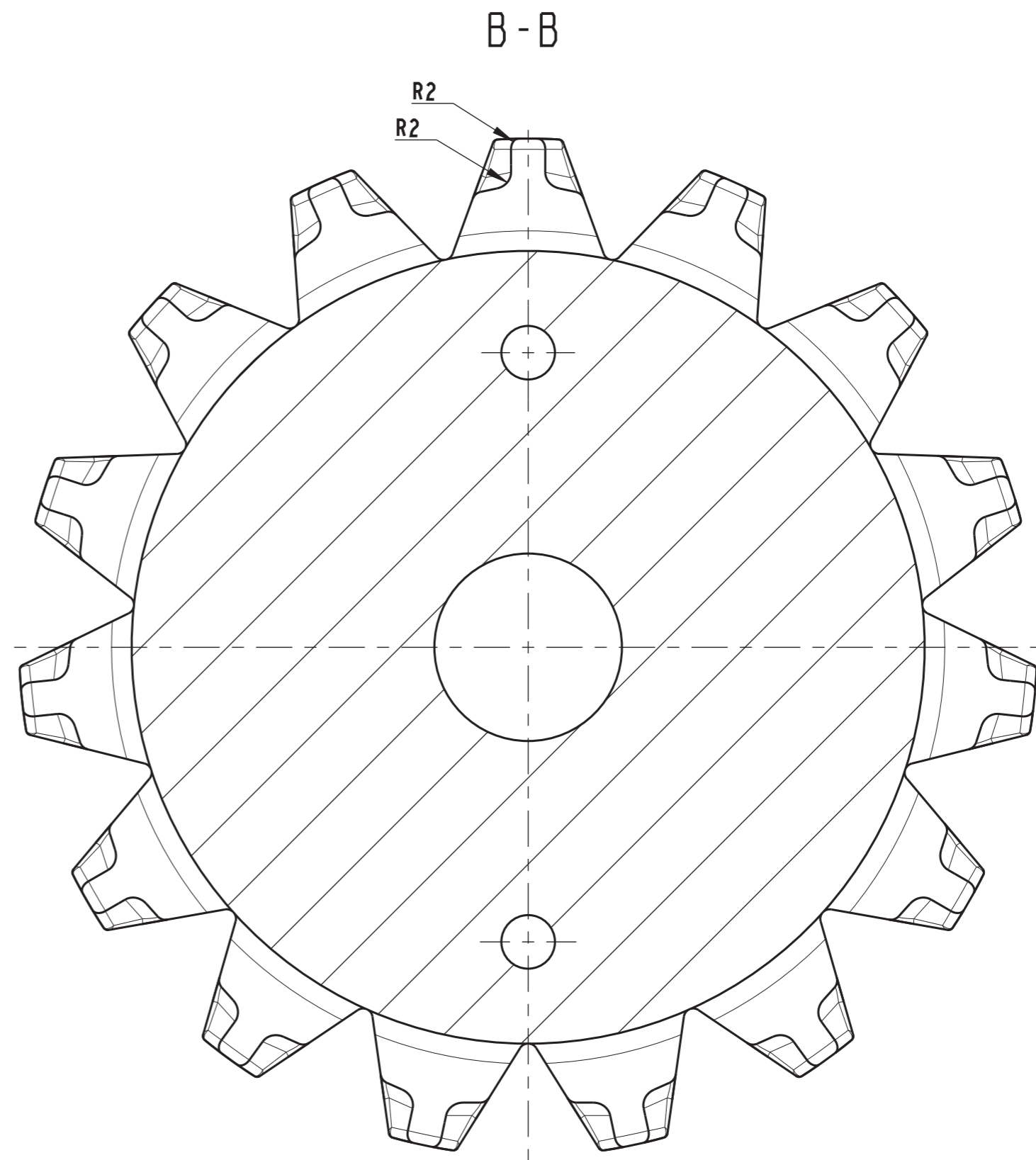
| | | | | | |
|---------|-------------|--------------|-------------|---------------------|--|
| Index | Popis zmeny | | | Datum | Podpis |
| Merkito | Ks | Material | Zaslechni | Mater. poruce | Projekce |
| 1:2 | | | | SESTAVA | AI |
| | | Makresiti | Kontroloval | Datum | Poruck dalsiy formy |
| | | Mikunda L. | | 23-May-13 | |
| | | Modeloval | Schválil | Vychozí dokumentace | Množství |
| | | Mikunda L. | | | 76,5kg |
| | | Nazev narodi | | Jmeno souboru | |
| | | | | 000 00 00 301 | |
| | | | | DIFERENCIALNI | POZICE TIP_MENO_INDEX_VERTI_VYBOD_PRIKAZ |
| | | | | KLADKOSTROJ | Cisto vyřeseno |
| | | | | | LIST/CELKOVY |
| | | | | | 1/1 |

Nosnost 900kg
Zdvih 6500mm

Ra 6.3/ (✓)



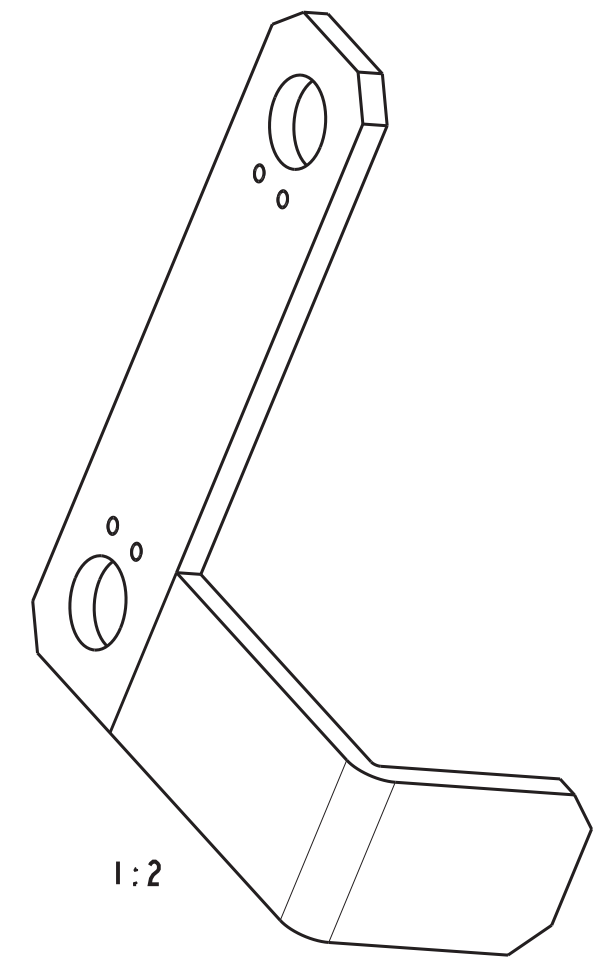
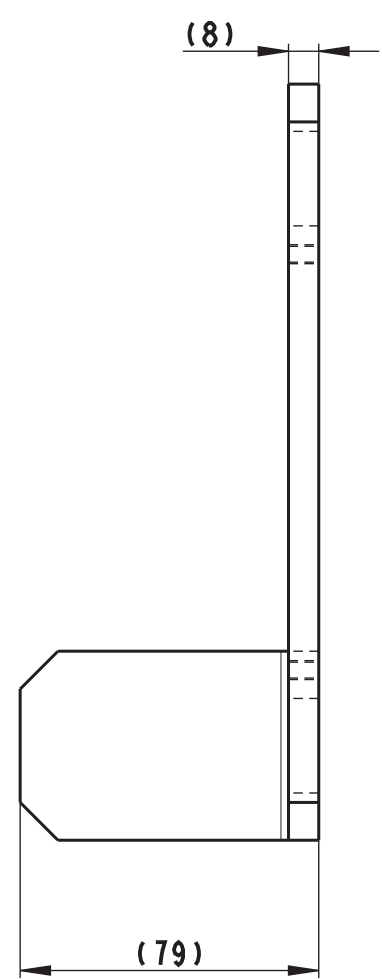
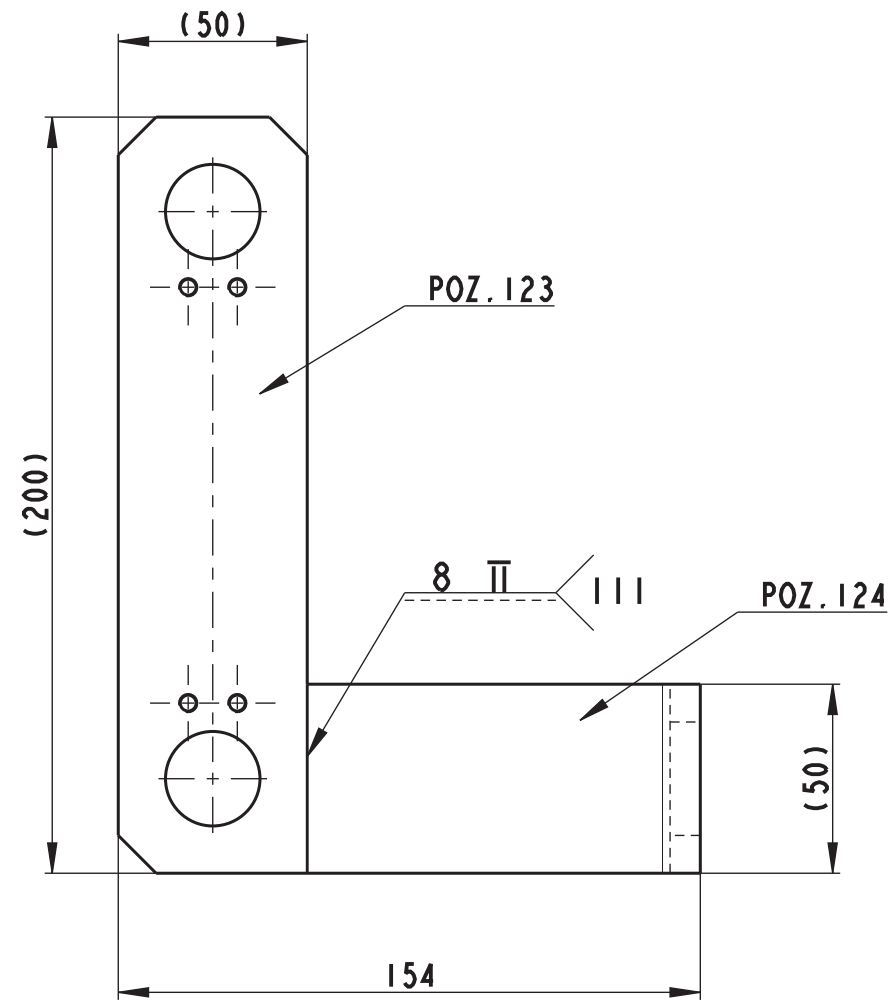
OTVORY Ø10H7 VRTAT
SPOLEČNĚ S POZ.104



| Tolerance | Drsnost povrchu |
|-------------|-----------------|
| <= 0.03 | 0.8 |
| >0.03-0.099 | 3.2 |
| >= 0.1 | 6.3 |

| TUSIROVACI PLOCHY | |
|-------------------|--------|
| TOLERANCE | |
| 1,0 | ±0,1 |
| 1,00 | ±0,01 |
| 1,000 | ±0,005 |

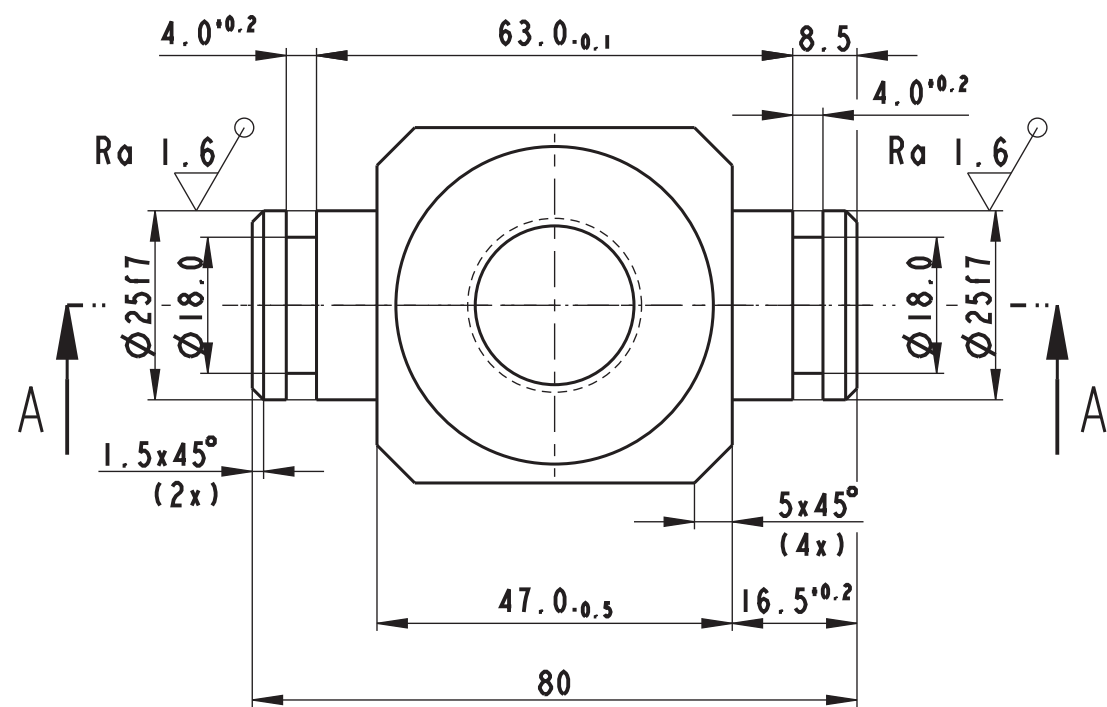
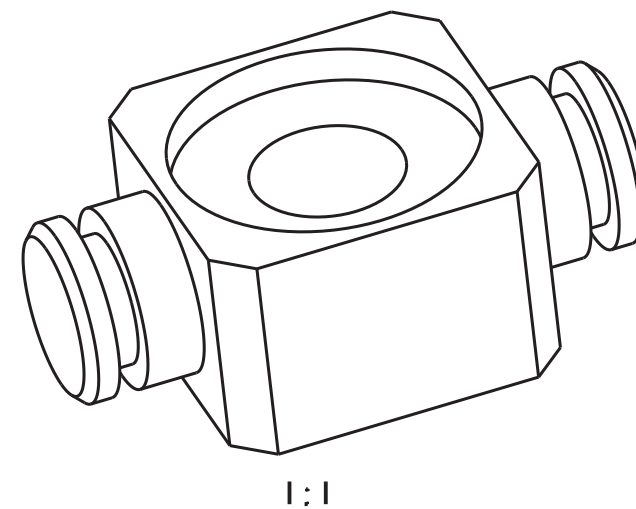
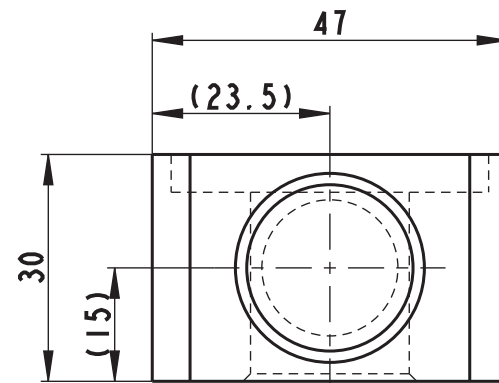
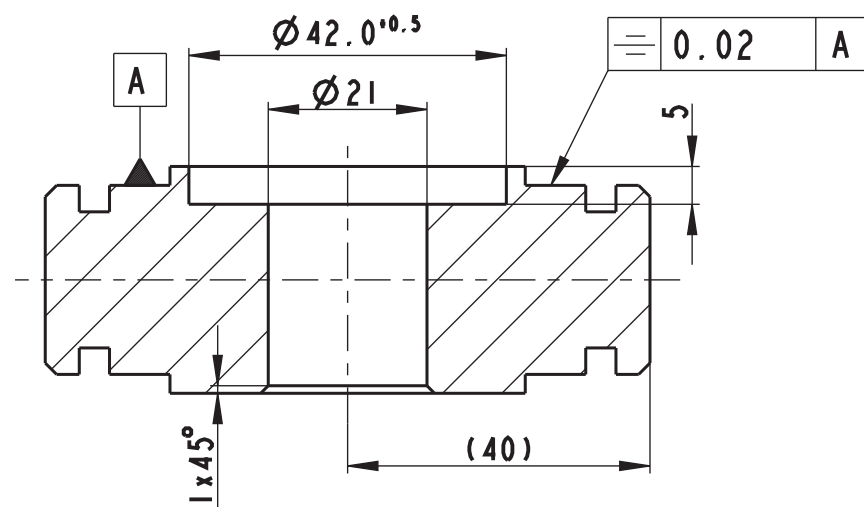
| Index | Popis zmeny | Datum | Podpis | NETOLEROVANE ROZMERY ISO 2768-mk | |
|-------------------------|-------------|---------------------------------------|--------------------------------|---|-------------------|
| Meritko 1:1 | ks 1 | Material GJL-200 | Zuslechleni RETEZ. KOLO 15Z | Projektce A2 | Formal A2 |
| Nakreslil Mikunda L. | | Kontroloval 23-May-13 | Povrch dalsiy formy | | Hmotnost 4,5kg |
| Modeloval Mikunda L. | | Schválil | Vychazi dokumentace | | |
| Mikunda L. | | Jmeno souboru 105 00 00 301 | | POZICE TYP JEMNO INDEX VERZE VYROB PRINAZ | |
| Mikunda L. | | Cisto vykrasu | | List/Lista 1/1 | |



| Poz | Ks | List | Nazev | Norma - Rozmer | Materiál | Pozn. | | | | | | | | | | | | | | | | | | | | | | | | | | | | | | | | | | | | | | | | |
|---|-------------|-------------------------|---------------|--|---------------------|-------------------|-------|-------------|--|--|--|-------|--------|-----------------------|---------|--------------------|-------------|--------------------------------|---------|--------------|--|--|-------------------------|-------------|--------------------|---------------------|--|-------------------------|----------|---------------------|--|------------------|--|--|--|--|---------------------------------------|--|--|--|--|--|--|--|--|-------------------|
| 124 | 1 | | DIL BOCNICE 2 | 8x180x50 | I.0553 | v | | | | | | | | | | | | | | | | | | | | | | | | | | | | | | | | | | | | | | | | |
| 123 | 1 | | DIL BOCNICE 1 | 8x200x50 | I.0553 | v | | | | | | | | | | | | | | | | | | | | | | | | | | | | | | | | | | | | | | | | |
| <table border="1"> <thead> <tr> <th>Index</th> <th colspan="4">Popis zmeny</th> <th>Datum</th> <th>Podpis</th> </tr> </thead> <tbody> <tr> <td>Meritko 1:2</td> <td>ks 2</td> <td>Materiál I.0553</td> <td>Zuslechleni</td> <td>Nazev pozice BOCNICE_VRCHNI</td> <td>Projekt</td> <td>Formát A3</td> </tr> <tr> <td colspan="2" rowspan="2"> </td> <td>Mokreslil Mikunda L.</td> <td>Kontroloval</td> <td>Datum 23-May-13</td> <td colspan="2">Povrch dality formy</td> </tr> <tr> <td>Modeloval Mikunda L.</td> <td>Schválil</td> <td colspan="2">Vychazi dokumentace</td> <td>Hmotnost I, I</td> </tr> <tr> <td colspan="4"> Nazev naradi DIFERENCIALNI KLADKOSTROJ </td> <td colspan="3"> Jmeno souboru 112 00 00 301 </td> </tr> <tr> <td colspan="4"></td> <td colspan="2"> POZICE TYP JEMO INDEX VERZE VYROB. PRIKAZ Cislo vykresu </td> <td> List/Listo 1/1 </td> </tr> </tbody> </table> | | | | | | | Index | Popis zmeny | | | | Datum | Podpis | Meritko 1:2 | ks 2 | Materiál I.0553 | Zuslechleni | Nazev pozice BOCNICE_VRCHNI | Projekt | Formát A3 | | | Mokreslil Mikunda L. | Kontroloval | Datum 23-May-13 | Povrch dality formy | | Modeloval Mikunda L. | Schválil | Vychazi dokumentace | | Hmotnost I, I | Nazev naradi DIFERENCIALNI KLADKOSTROJ | | | | Jmeno souboru 112 00 00 301 | | | | | | | POZICE TYP JEMO INDEX VERZE VYROB. PRIKAZ Cislo vykresu | | List/Listo 1/1 |
| Index | Popis zmeny | | | | Datum | Podpis | | | | | | | | | | | | | | | | | | | | | | | | | | | | | | | | | | | | | | | | |
| Meritko 1:2 | ks 2 | Materiál I.0553 | Zuslechleni | Nazev pozice BOCNICE_VRCHNI | Projekt | Formát A3 | | | | | | | | | | | | | | | | | | | | | | | | | | | | | | | | | | | | | | | | |
| | | Mokreslil Mikunda L. | Kontroloval | Datum 23-May-13 | Povrch dality formy | | | | | | | | | | | | | | | | | | | | | | | | | | | | | | | | | | | | | | | | | |
| | | Modeloval Mikunda L. | Schválil | Vychazi dokumentace | | Hmotnost I, I | | | | | | | | | | | | | | | | | | | | | | | | | | | | | | | | | | | | | | | | |
| Nazev naradi DIFERENCIALNI KLADKOSTROJ | | | | Jmeno souboru 112 00 00 301 | | | | | | | | | | | | | | | | | | | | | | | | | | | | | | | | | | | | | | | | | | |
| | | | | POZICE TYP JEMO INDEX VERZE VYROB. PRIKAZ Cislo vykresu | | List/Listo 1/1 | | | | | | | | | | | | | | | | | | | | | | | | | | | | | | | | | | | | | | | | |

Ra 3.2 / (✓)

A - A



TUSIROVACI PLOCHY ▾

TOLERANCE

| | |
|-------|-------------|
| 1,0 | $\pm 0,1$ |
| 1,00 | $\pm 0,01$ |
| 1,000 | $\pm 0,005$ |

NETOLEROVANE ROZMERY
ISO 2768-mK

| Index | Popis zmeny | | Datum | Podpis | NETOLEROVANE ROZMERY ISO 2768-mK | |
|-----------------------|-------------|--|-------------|--|-------------------------------------|-------------------|
| Meritko 1:1 | ks 1 | Material 1.0060 | Zuslechleni | Nazev pozice PRICNIK DOLNI | Projekce | Formal A3 |
| | | Nakreslil Mikunda L. | Kontroloval | Datum 23-May-13 | Povrch dalsiny formy | |
| | | Modeloval Mikunda L. | Schválil | Vychazi dokumentace | | Hmotnost 0,5kg |
| | | Nazev naradi DIFERENCIALNI KLADKOSTROJ | | Jmeno souboru 118 00 00 301 | | |
| | | | | POZICE TYP JEMNO INDEX VERZE VYROB. PRIKAZ | | Lisť/Lisťo 1/1 |