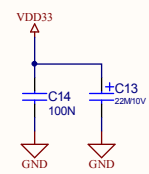
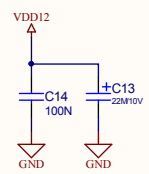
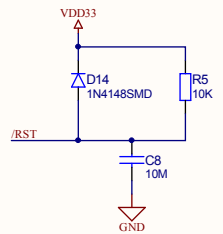
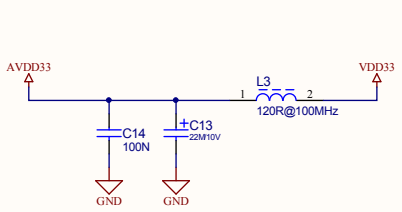
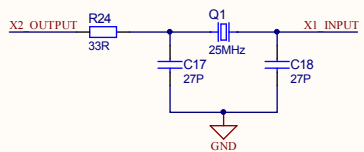
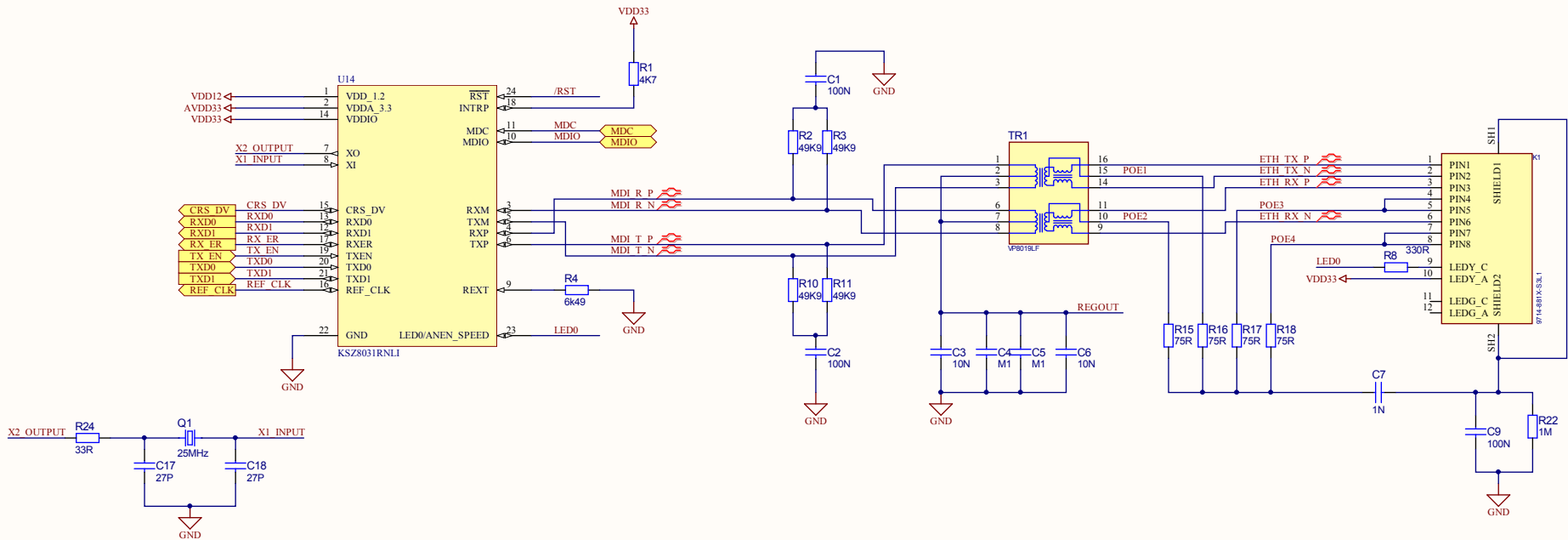
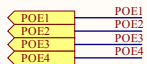


Title: NETIO-X		Id:VariantId	
Varianta: Variant name not interpreted			
Autor: Miroslav Lízner			
Rev: 100	Date: 2.5.2011	Size: A4	Sheet * of *

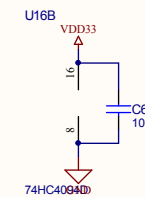
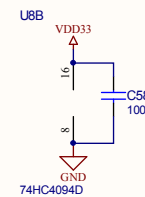
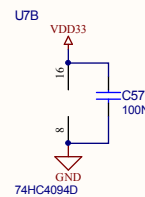
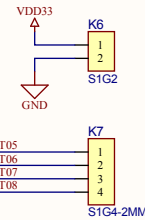
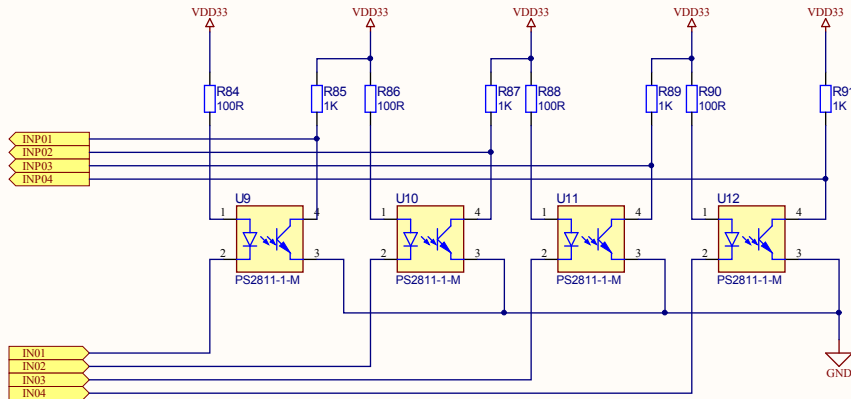
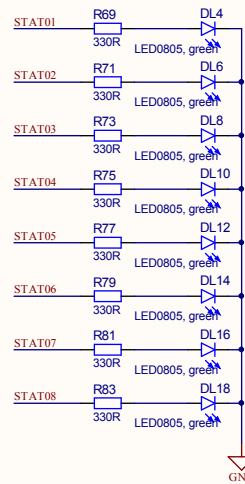
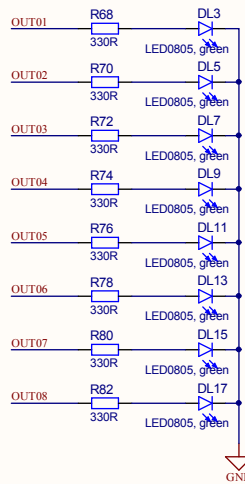
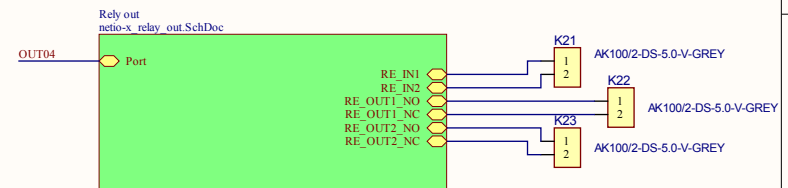
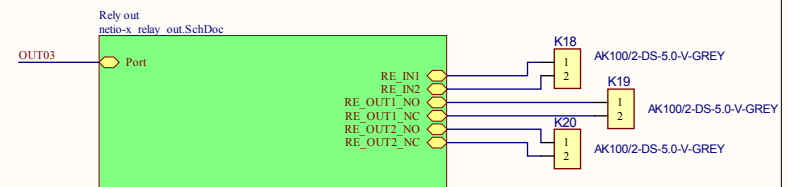
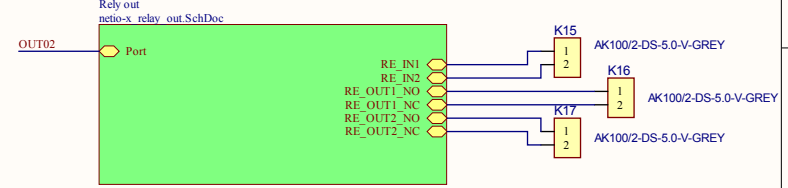
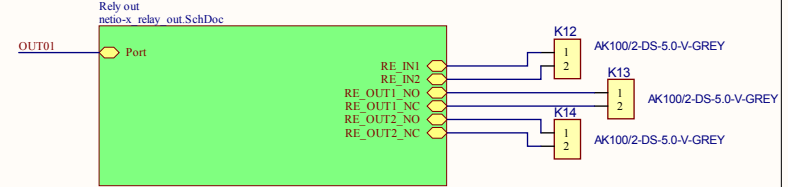
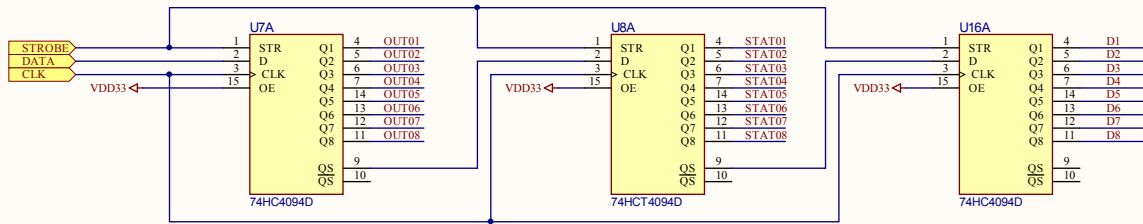


KOUKAAM a.s.
 U Panasoniku 376
 530 06 Pardubice - Staré Ččivice
 Czech Republic



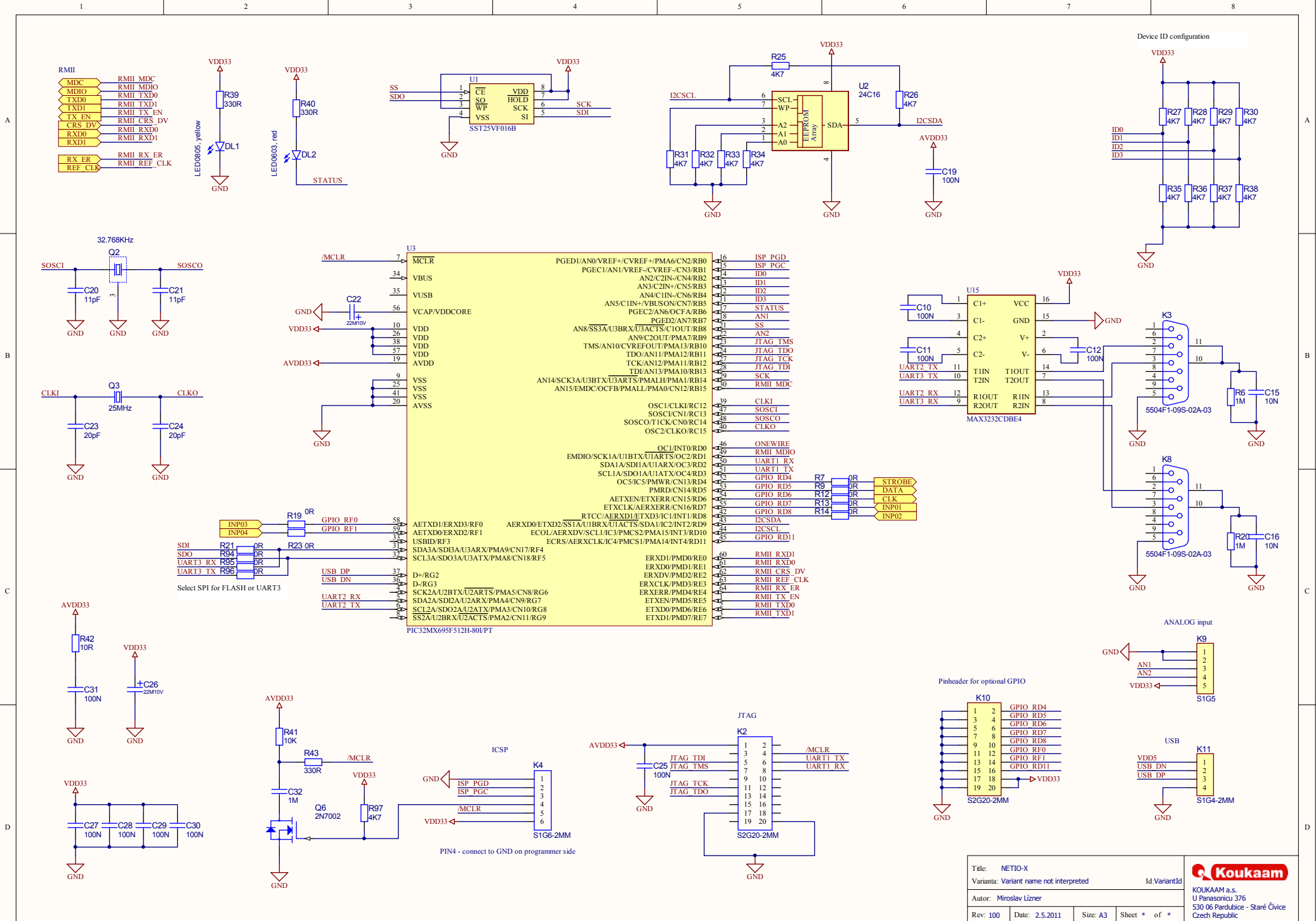
Title: NETIO-X		Id: VariantId	
Varianta: Variant name not interpreted			
Autor: Miroslav Lázner			
Rev: 100	Date: 2.5.2011	Size: A3	Sheet * of *

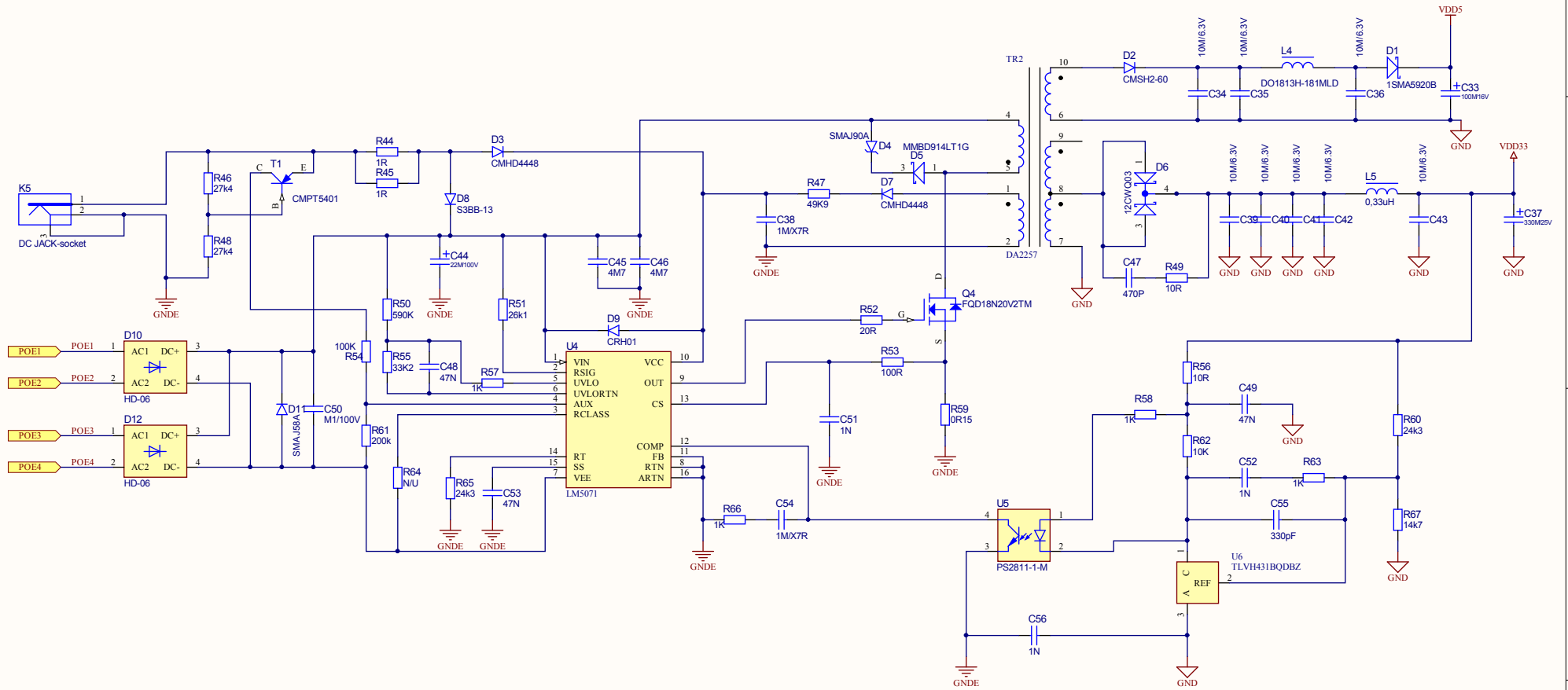




Title: NETIO-X		Id: VariantId	
Varianta: Variant name not interpreted			
Autor: Miroslav Lízner			
Rev: 100	Date: 2.5.2011	Size: A3	Sheet * of *

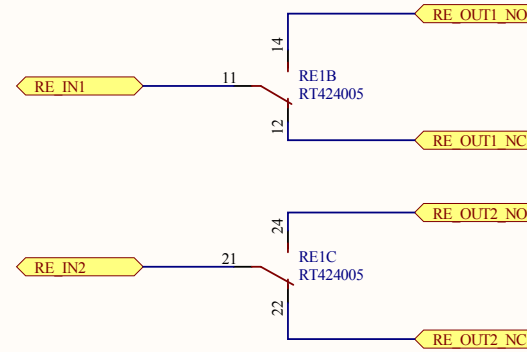
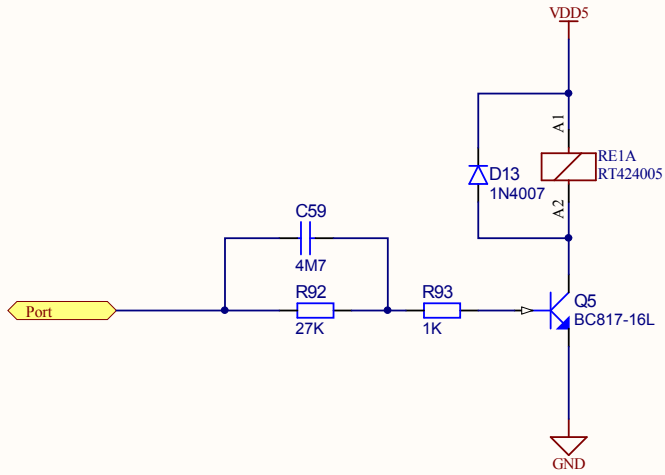






Title: NETIO-X		Id: VariantId	
Varianta: Variant name not interpreted			
Autor: Miroslav Lázner			
Rev: 100	Date: 2.5.2011	Size: A3	Sheet * of *





Title: NETIO-X		Id:VariantId	
Varianta: Variant name not interpreted			
Autor: Miroslav Lízner			
Rev: 100	Date: 2.5.2011	Size: A4	Sheet * of *



KOUKAAM a.s.
 U Panasoniku 376
 530 06 Pardubice - Staré Ččvice
 Czech Republic