
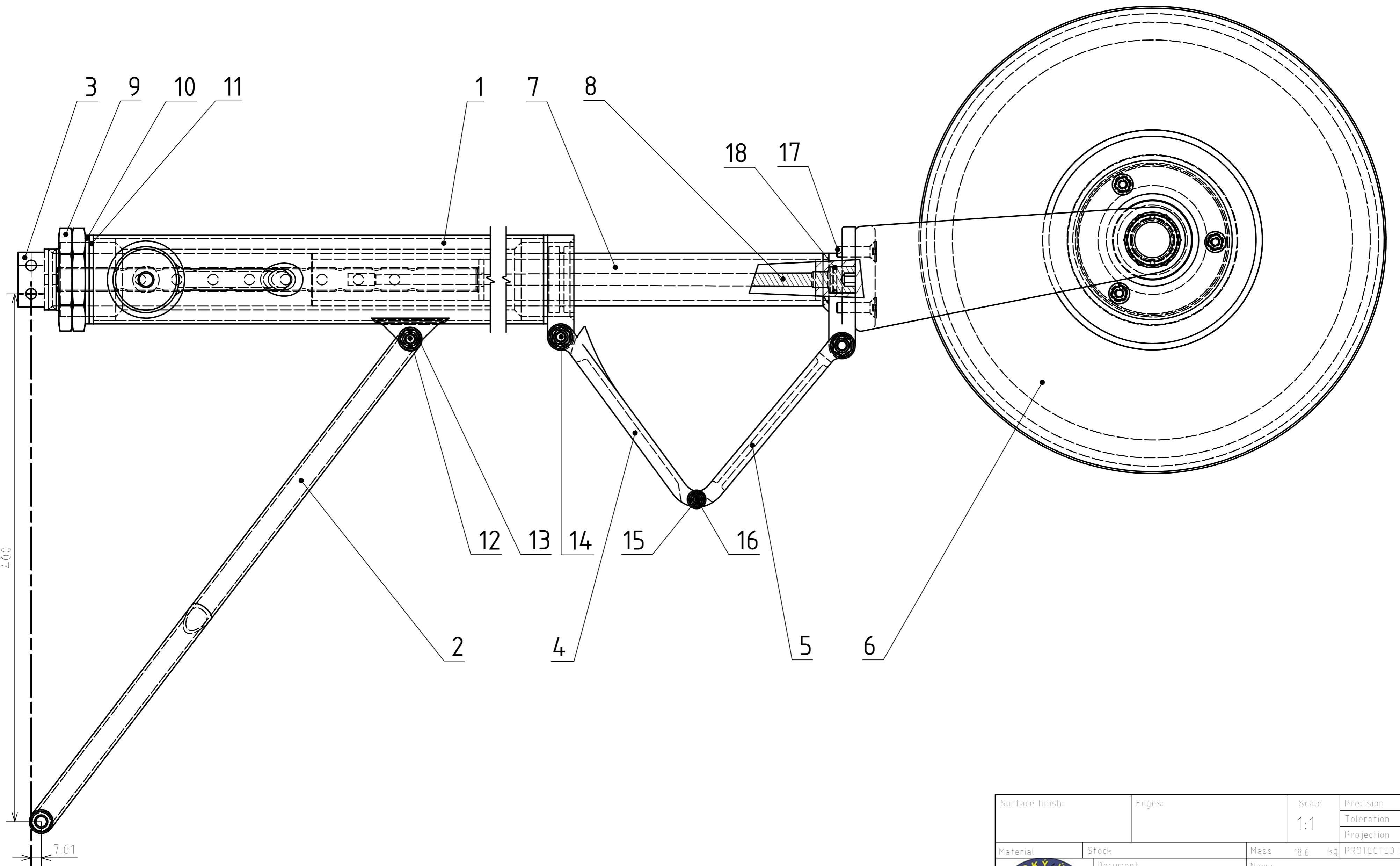
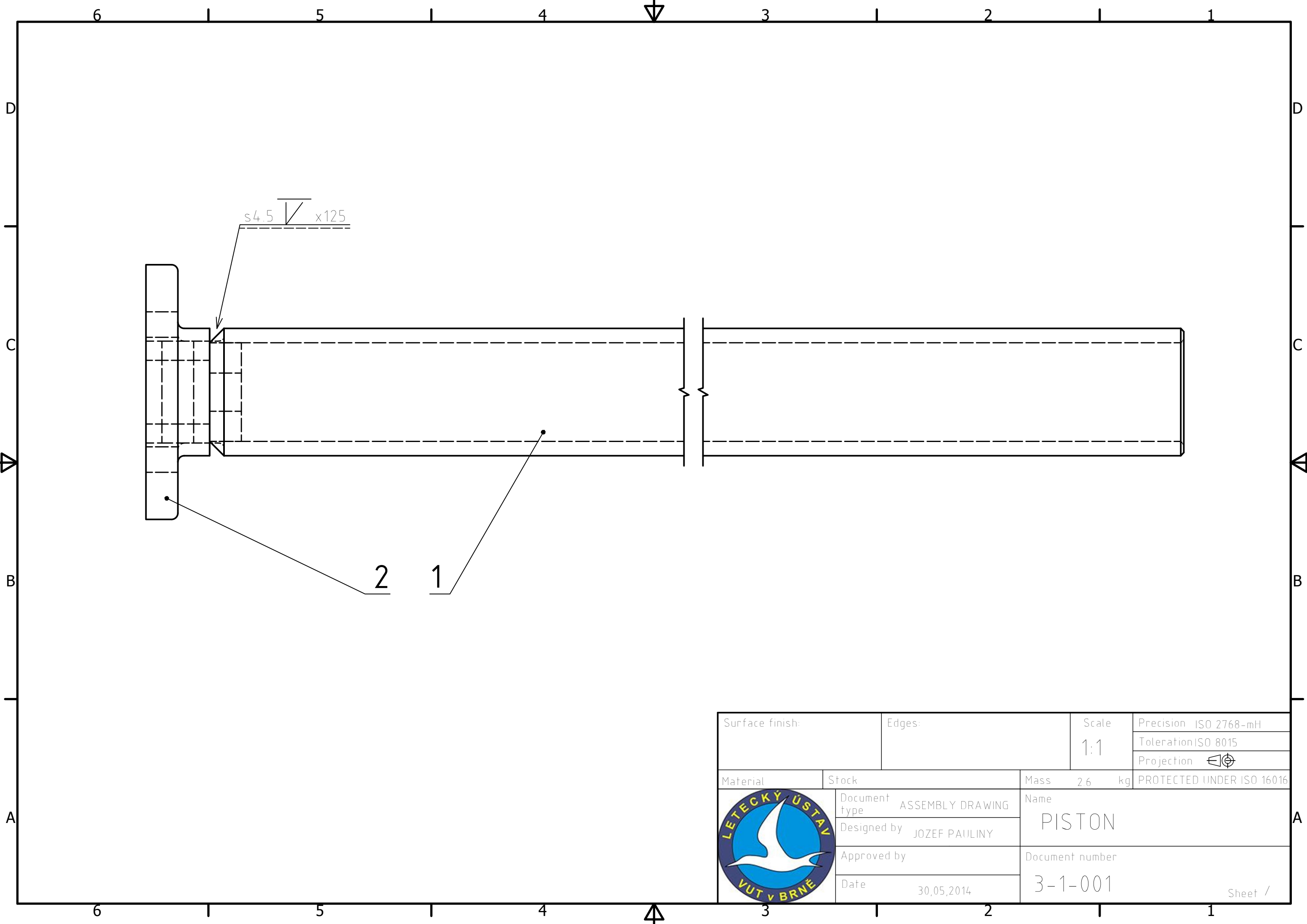


Item #	Description	Stock	Mass	U	Qty.
	Part Number	Material			
1	MAIN LANDING GEAR STRUT	120x34-1120	7.8	kg	1
	3-2-01	UD-GFRP			
2	MAIN WHEEL ASSEMBLY		8.5	kg	1
3	BOTTOM MOUNTING BRACKET	120x100-200 ČSN EN 755-4	1,03	kg	1
	3-2-02	ASM 2024			
4	TOP MOUNTING BRACKET	160x150-180 ČSN EN 755-4	3,01	kg	1
	3-2-03	ASM 2024			
5	BOLT - M10x1.5-75		58	g	2
	ANSI B18.2.3.5M				
6	BOLT - M10x1.5-90		67	g	2
	ANSI B18.2.3.5M				
7	COUNTERS. BOLT - M10x1.5-80		54	g	2
	ANSI IFI 535				
8	BOLT - 3/8"x16 UNC-2.5"		46	g	2
	ANSI ASME B18.2.1				
9	BOLT - 5/16"x18 UNC-3.25"		40	g	2
	ANSI ASME B18.2.1				
10	NUT - M10x1.5		16	g	6
	ANSI B18.16.3M				
11	NUT - 3/8"x16 UNC		14	g	2
	IFI 100 107				
12	NUT - 5/16"x18 UNC		10	g	2
	IFI 100 107				
13	WASHER - 10 N		4	g	10
	ANSI B18.22M				
14	WASHER - 3/8" N-TYPE B		2	g	4
	ANSI B18.22.1				
15	WASHER - 5/16" N-TYPE B		2	g	4
	ANSI B18.22.1				

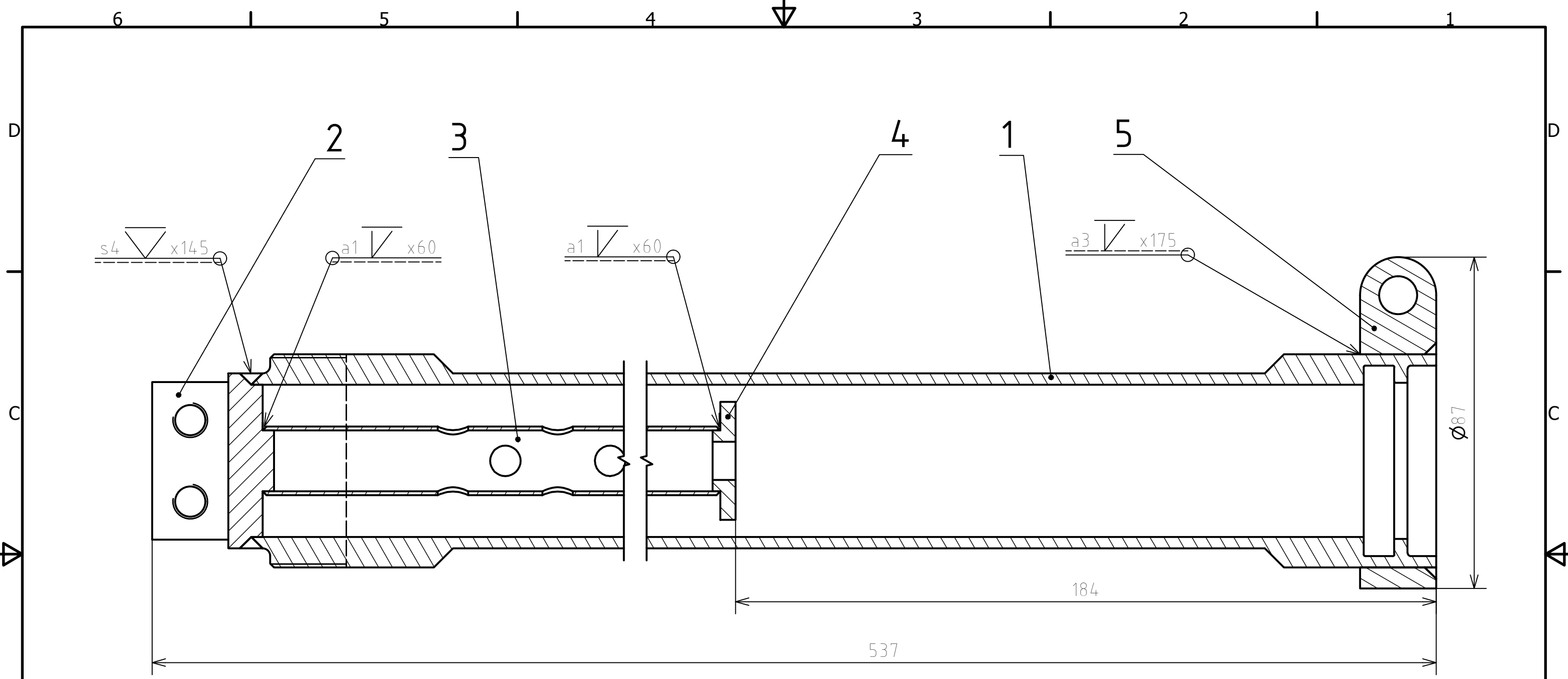
	Document type	PARTS LIST	Name	MAIN LANDING GEAR
	Designed by	JOZEF PAULINY		
	Approved by		Document Number	4-2-000
	Date	30.05.2014		




Surface finish:	Edges	Scale 1:1	Precision Toleration Projection
Material	Stock	Mass 18.6 kg	PROTECTED UNDER ISO 16016
	Document type ASSEMBLY DRAWING	Name NOSE LANDING GEAR	
	Designed by JOZEF PAULINY	Document number 2-1-000	
	Approved by	Date 30.05.2014	Sheet /

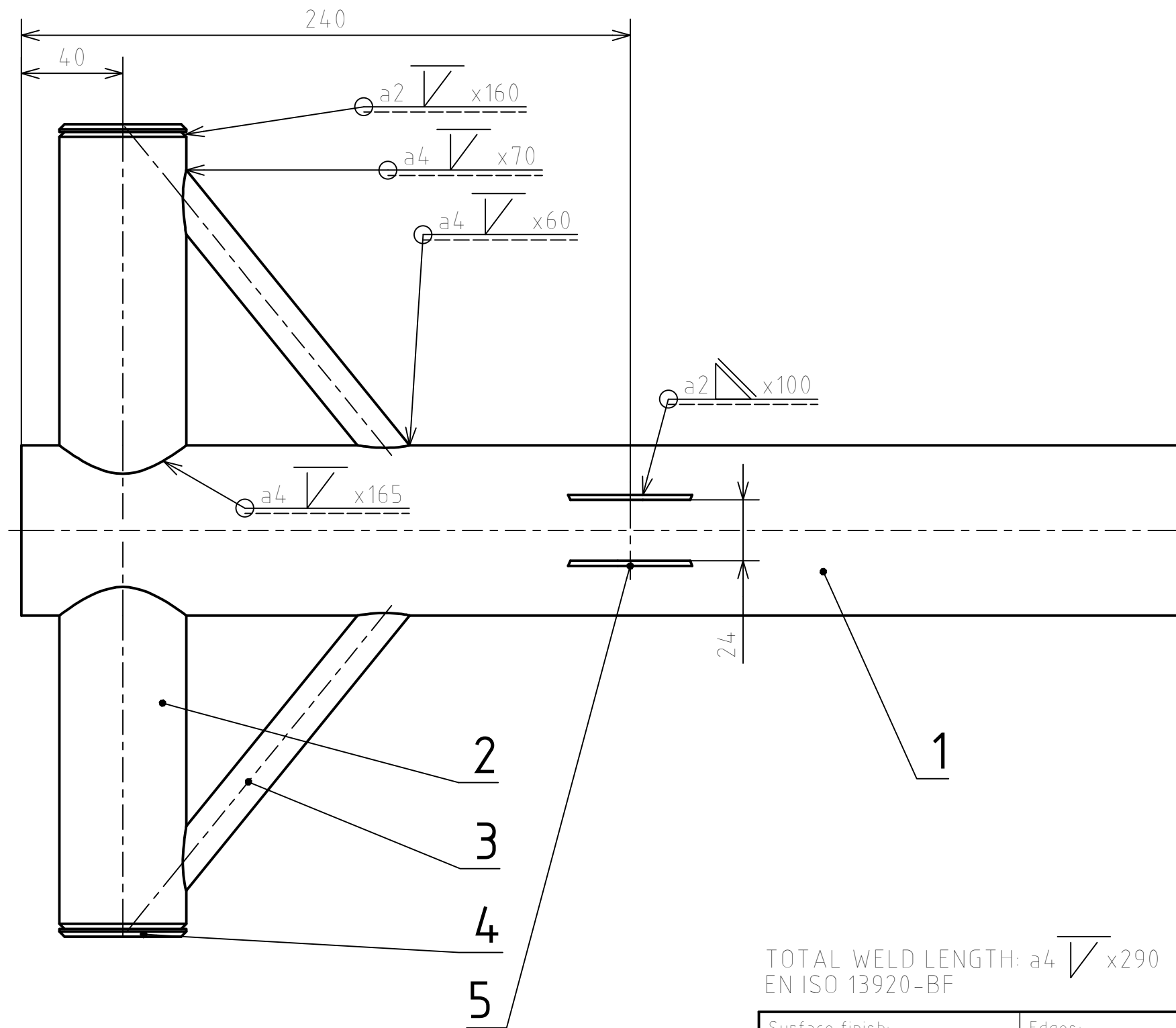


Surface finish:		Edges:		Scale 1:1		Precision ISO 2768-mH	
						Toleration ISO 8015	
						Projection	
Material		Stock		Mass 2.6 kg		PROTECTED UNDER ISO 16016	
		Document type ASSEMBLY DRAWING		Name PISTON			
		Designed by JOZEF PAULINY					
		Approved by		Document number 3-1-001			
		Date 30,05,2014		Sheet /			




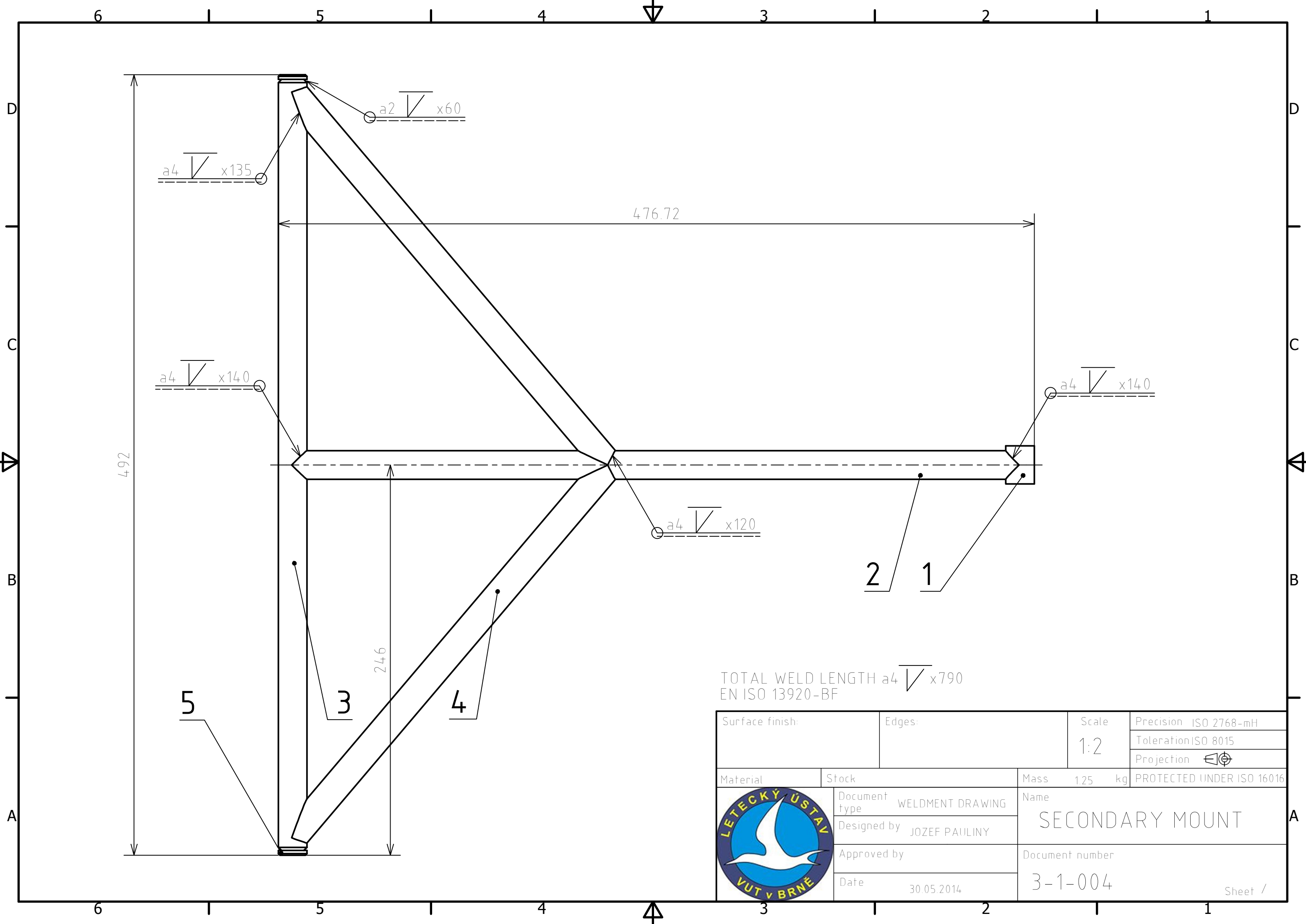
TOTAL WELD LENGTH a1 ∇ x120
EN ISO 13920-BF

Surface finish:		Edges:		Scale 1:1	Precision ISO 2768-mH
					Tolerations ISO 8015
					Projection ∇
Material	Stock	Mass	3,47 kg	PROTECTED UNDER ISO 16016	
	Document type	WELDMENT DRAWING		Name CYLINDER	
	Designed by	JOZEF PAULINY		Document number	
	Approved by			3-1-002	
	Date	30.05.2014		Sheet /	



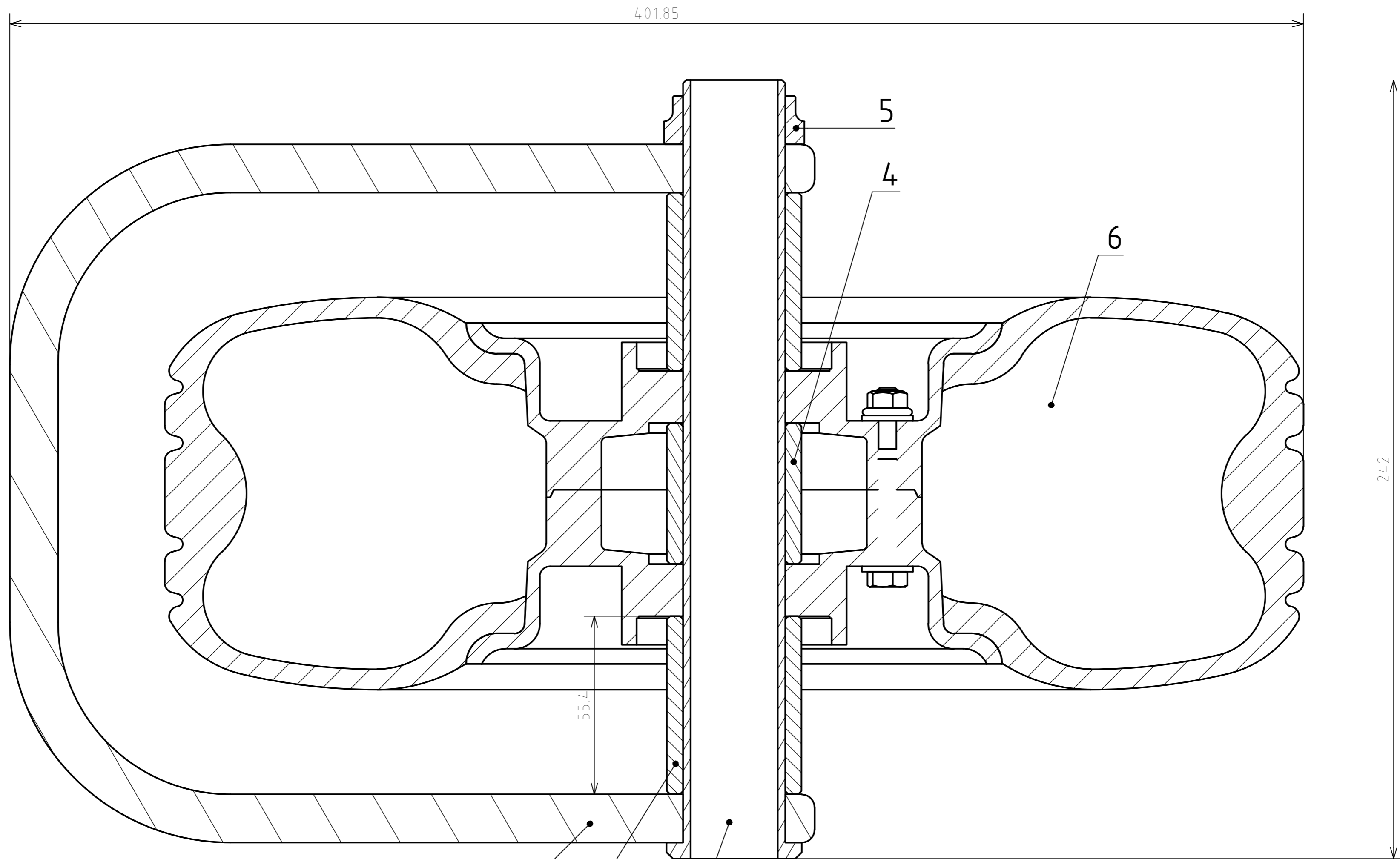
TOTAL WELD LENGTH: a4 ∇ x290
EN ISO 13920-BF

Surface finish:		Edges:		Scale 1:2	Precision ISO 2768-mH
					Toleration ISO 8015
					Projection $\leftarrow \oplus$
Material	Stock	Mass	2.8 kg	PROTECTED UNDER ISO 16016	
	Document type WELDMENT DRAWING	Name MAIN HOUSING			
	Designed by JOZEF PAULINY	Document number 3-1-003			
	Approved by	Date 30.05.2014			
					Sheet /

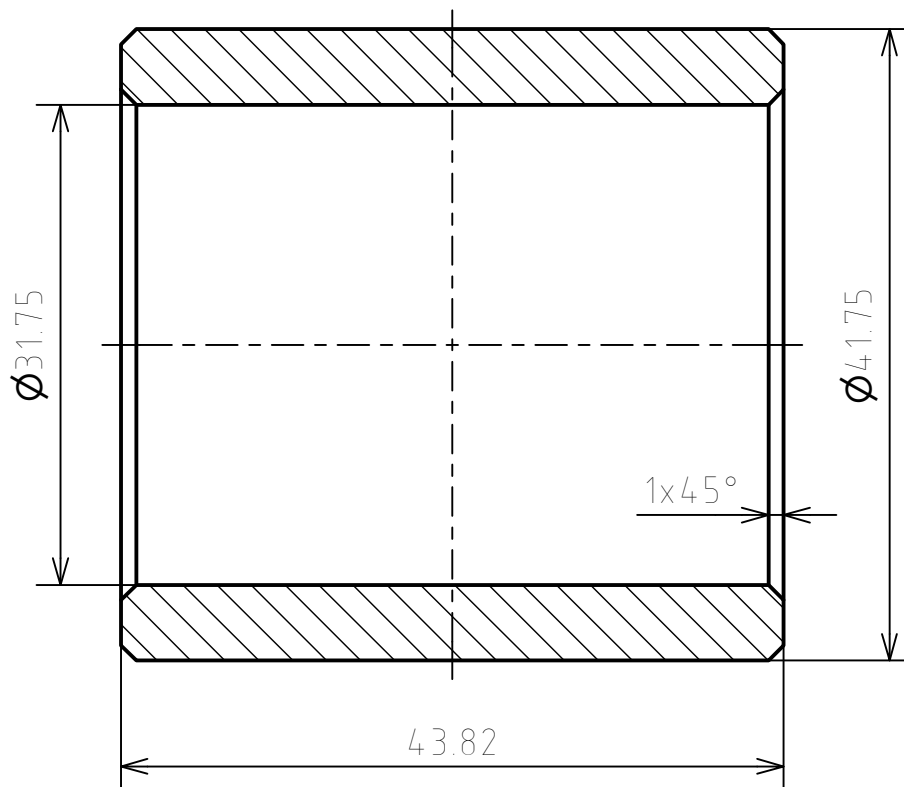


TOTAL WELD LENGTH a4 V x790
EN ISO 13920-BF

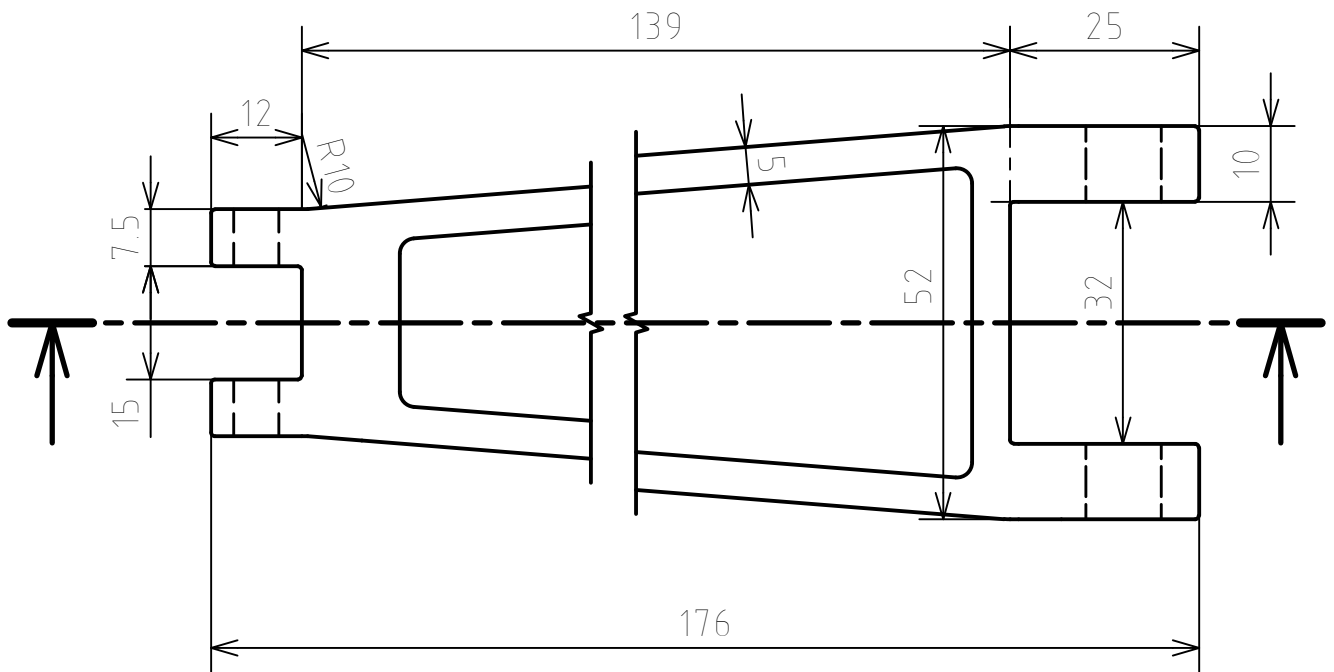
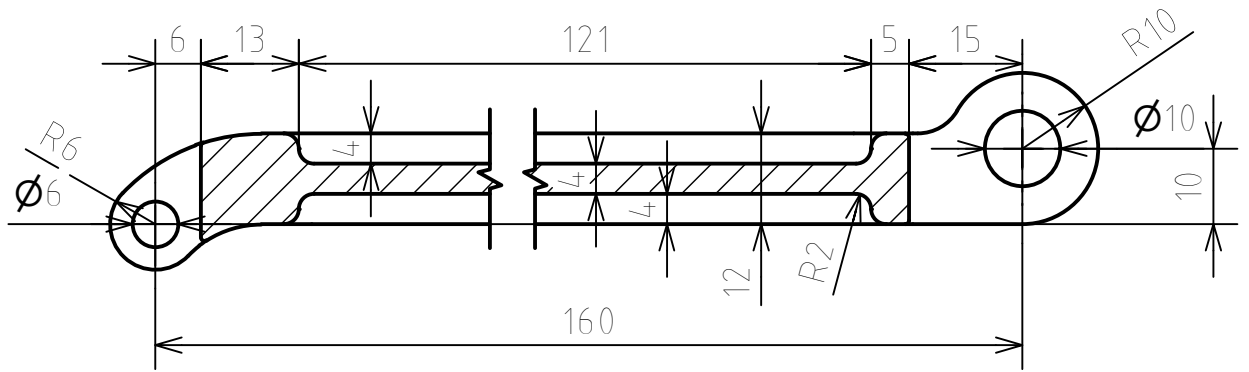
Surface finish:		Edges:		Scale 1:2	Precision ISO 2768-mH
					Tolerances ISO 8015
					Projection
Material	Stock	Mass	125 kg	PROTECTED UNDER ISO 16016	
	Document type WELDMENT DRAWING	Name SECONDARY MOUNT			
	Designed by JOZEF PAULINY	Document number 3-1-004			
	Approved by	Date 30.05.2014			
				Sheet /	



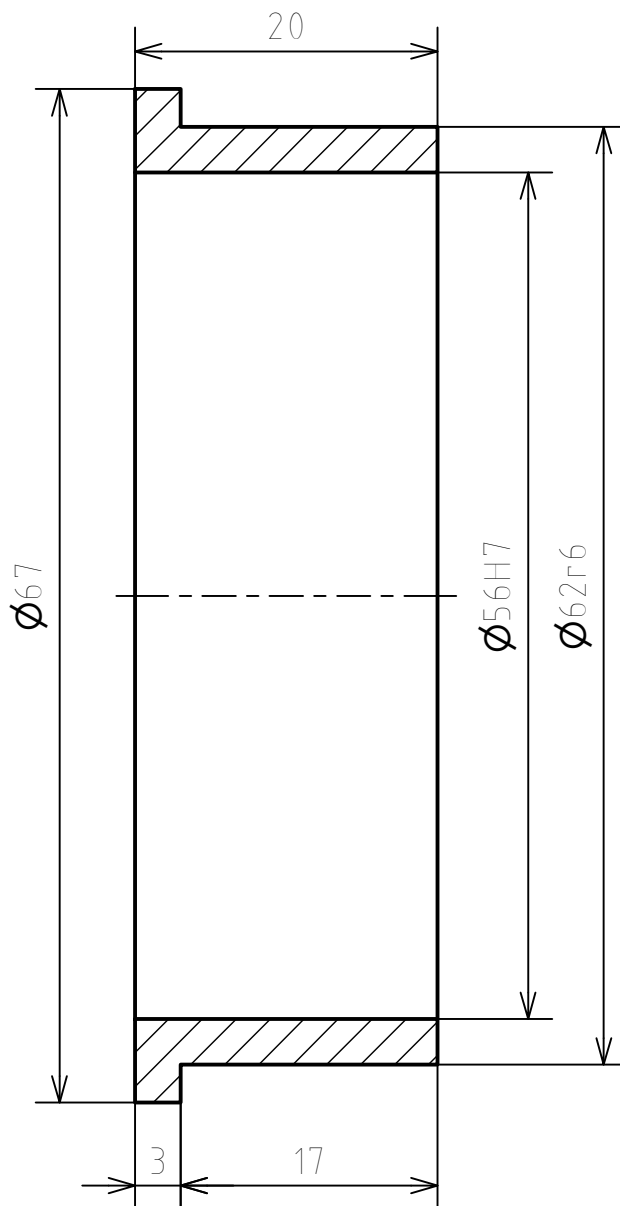
Surface finish:	Edges:	Scale 1:2	Precision Toleration Projection
Material:	Stock:	Mass 20 kg	PROTECTED UNDER ISO 16016
	Document type ASSEMBLY DRAWING	Name MAIN LANDING GEAR	
	Designed by JOZEF PAULINY	Document number 2-2-000	
	Approved by	Date 30.05.2014	Sheet /



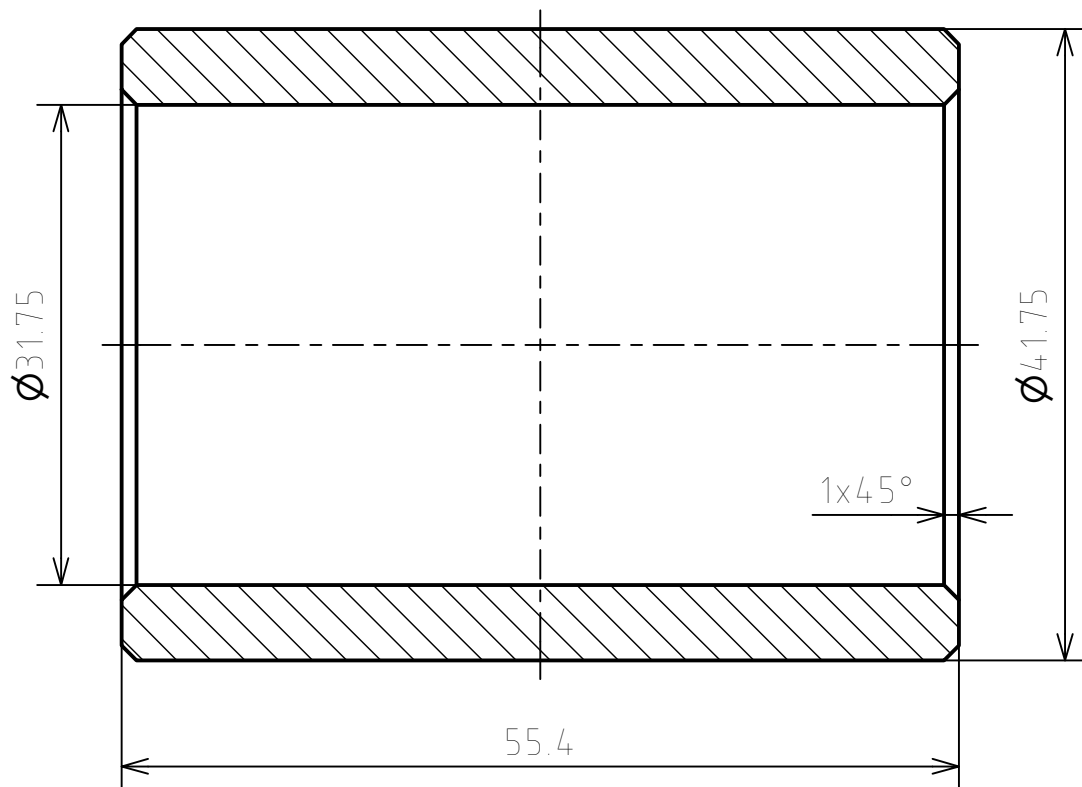
Surface finish: Ra 6.3		Edges:		Scale 2:1		Precision ISO 2768-mK	
						Toleration ISO 8015	
						Projection	
Material ASM 2024	Stock	ø42-45 ČSN EN 755-3		Mass	0.1 kg	PROTECTED UNDER ISO 16016	
	Document type PART DRAWING			Name SPACER			
	Designed by JOZEF PAULINY			Document number			
	Approved by			4-1-04			
	Date 30,05,2014			Sheet /			



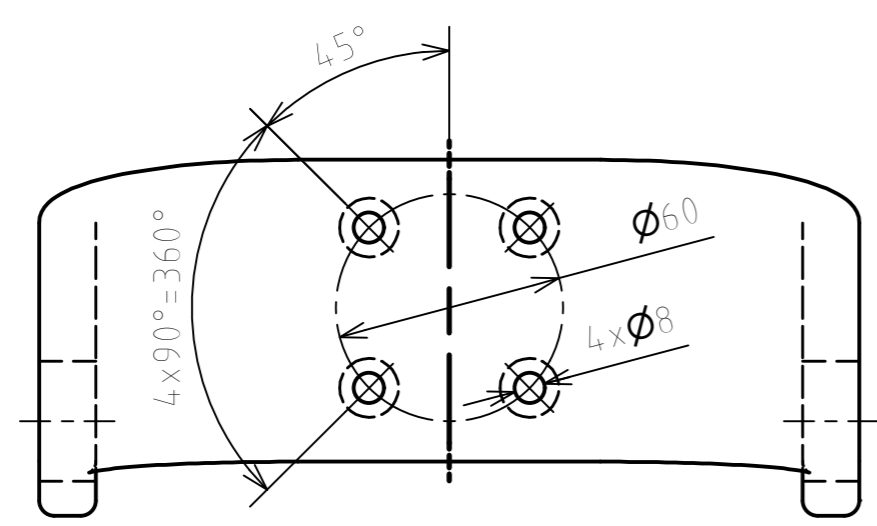
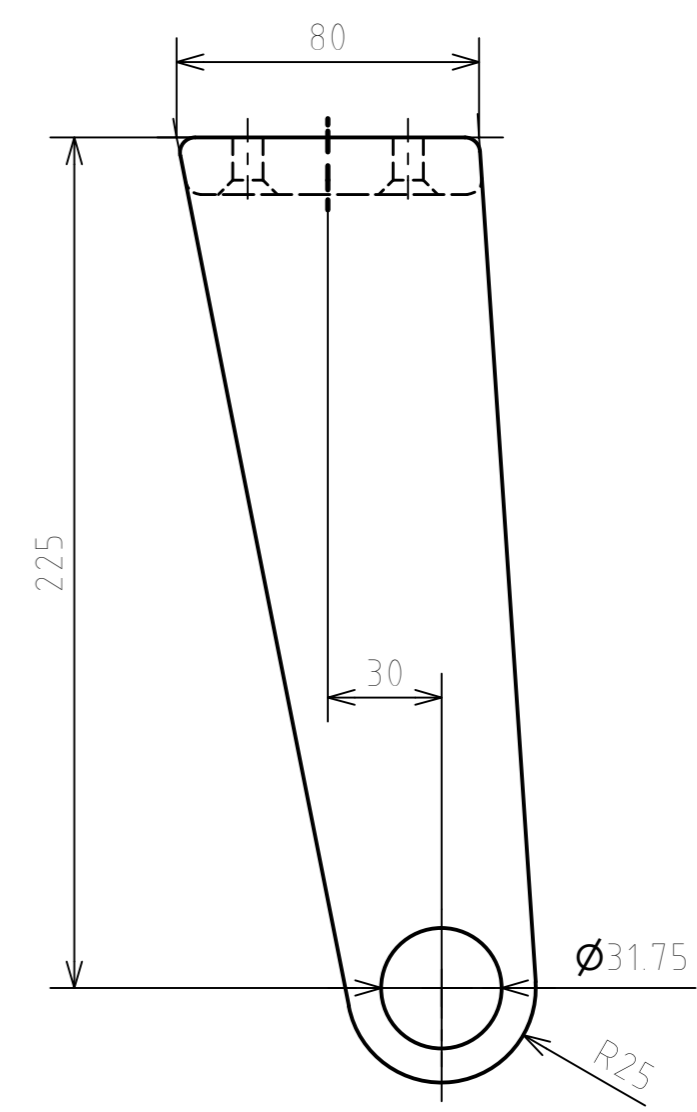
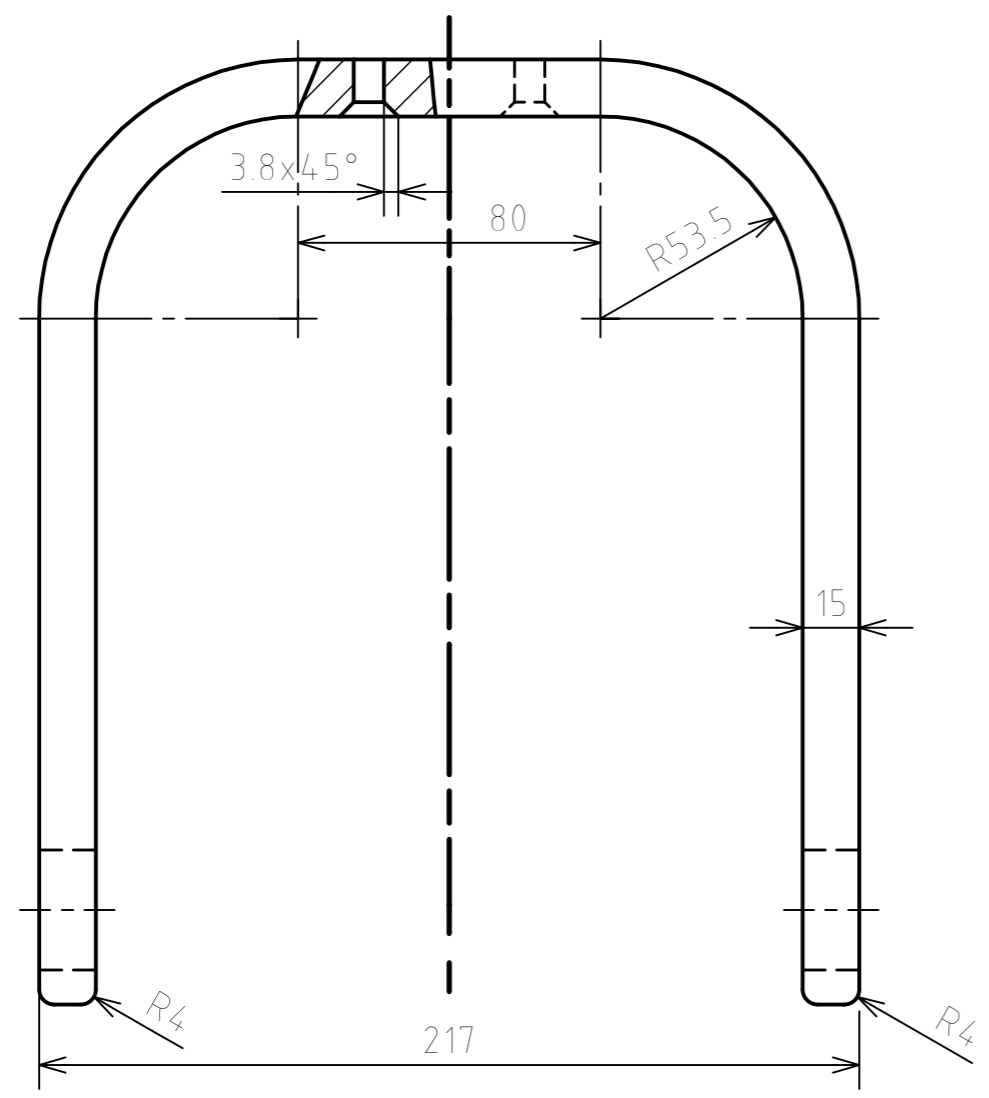
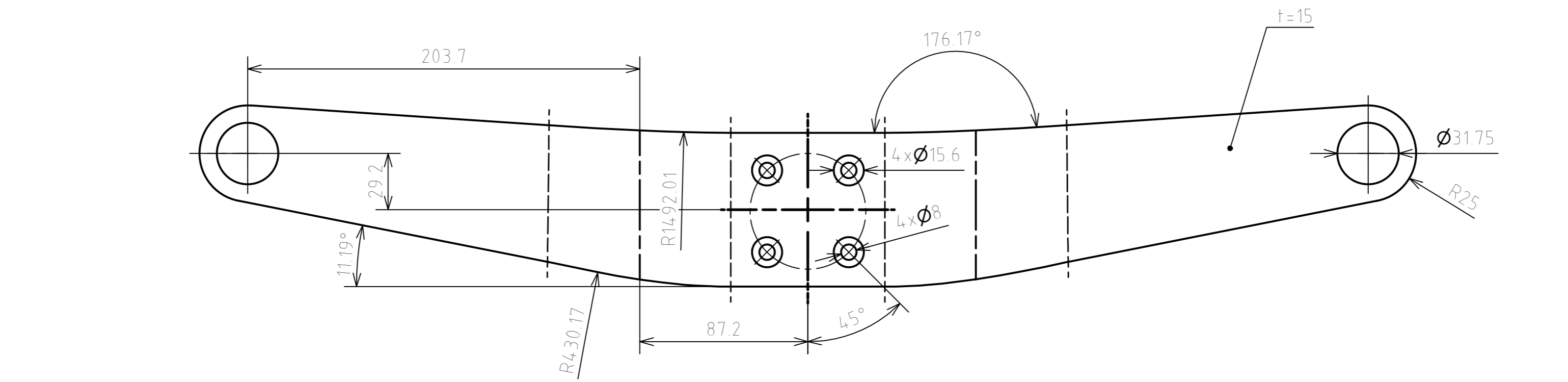
Surface finish: Ra 6.3		Edges:		Scale 1:1		Precision ISO 2768-mK	
						Toleration ISO 8015	
						Projection	
Material ASM 2024		Stock \square 60X30-180 ČSN EN 755-4		Mass 0.13 kg		PROTECTED UNDER ISO 16016	
	Document type PART DRAWING			Name			
	Designed by JOZEF PAULINY			BOTTOM SCISSOR			
	Approved by			Document number			
	Date 30,05,2014			4-1-25			
							Sheet /



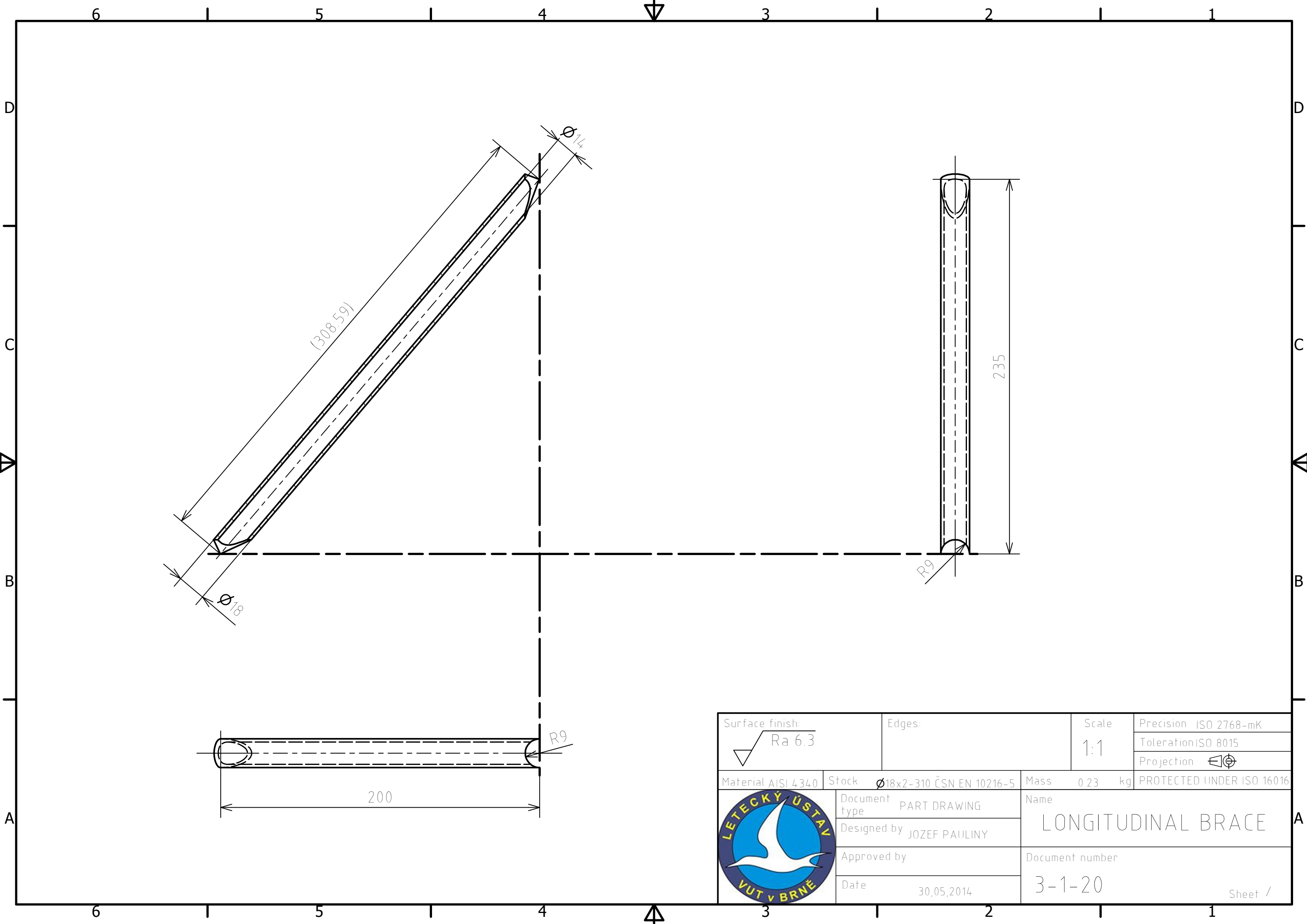
Surface finish: Ra 6.3		Edges:		Scale 2:1		Precision ISO 2768-mK	
						Toleration ISO 8015	
						Projection	
Material C93200	Stock $\varnothing 67 \times 6 - 20$ ČSN 42 5715	Mass	0.1	kg	PROTECTED UNDER ISO 16016		
	Document type	PART DRAWING		Name			
	Designed by	JOZEF PAULINY		BUSHING			
	Approved by			Document number			
	Date	30,05,2014		4-1-22			
						Sheet /	

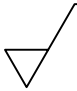
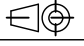



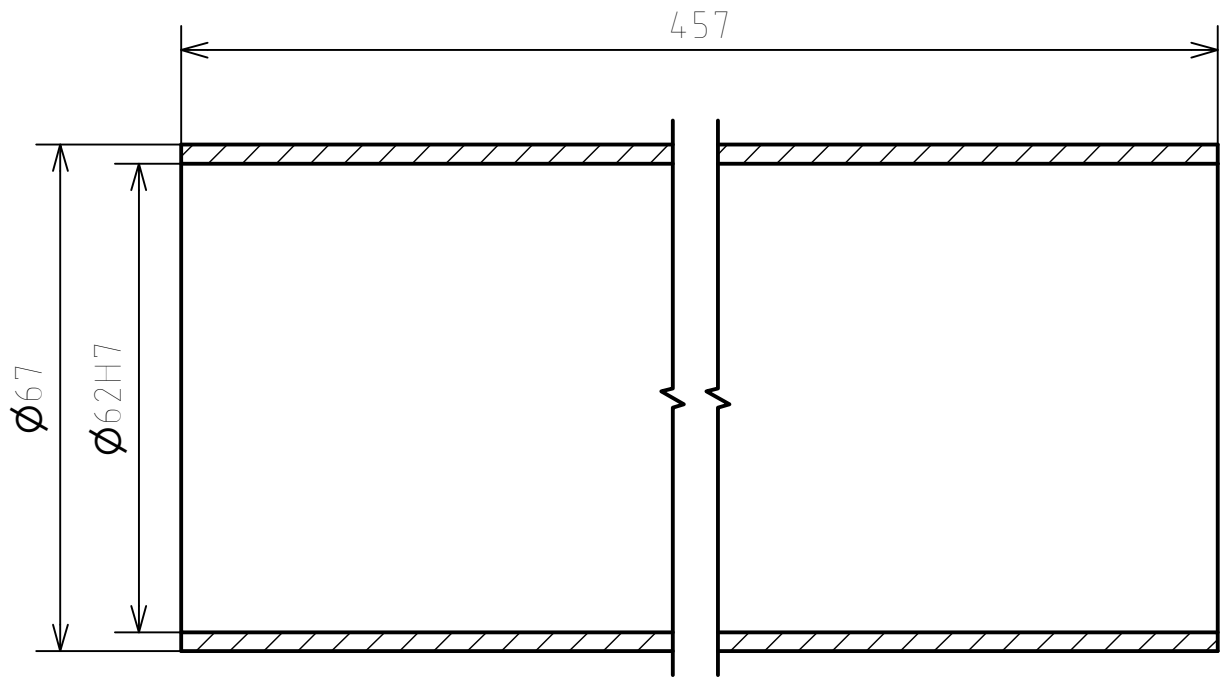
Surface finish: Ra 6.3		Edges:		Scale 2:1		Precision ISO 2768-mK	
						Toleration ISO 8015	
						Projection	
Material ASM 2024	Stock	ø42-56 ČSN EN 755-3		Mass	0.1 kg	PROTECTED UNDER ISO 16016	
	Document type PART DRAWING			Name SPACER			
	Designed by JOZEF PAULINY			Document number			
	Approved by			4-1-03			
	Date 30,05,2014			Sheet /			


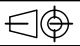



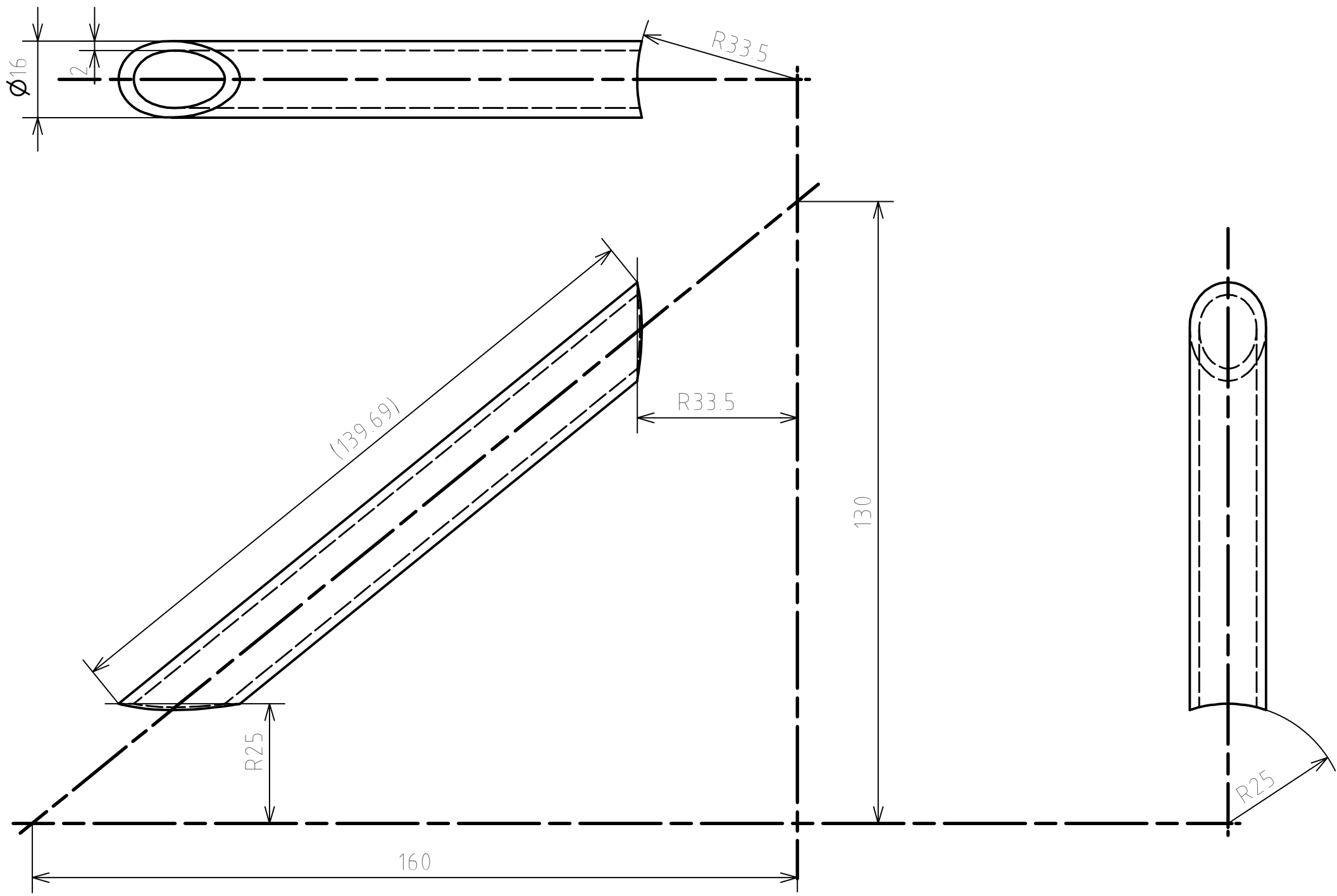
Surface finish:	Edges:	Scale 1:2	Precision ISO 2768-mK Toleration ISO 8015 Projection
Material ASM 2024	Stock <input type="checkbox"/> 100x15-650 ČSN EN 755-4	Mass 1,7 kg	PROTECTED UNDER ISO 16016
	Document type PART DRAWING	Name FORK	
	Designed by JOZEF PAULINY	Document number 2-1-02	
	Approved by	Date 30.05.2014	Sheet /

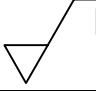




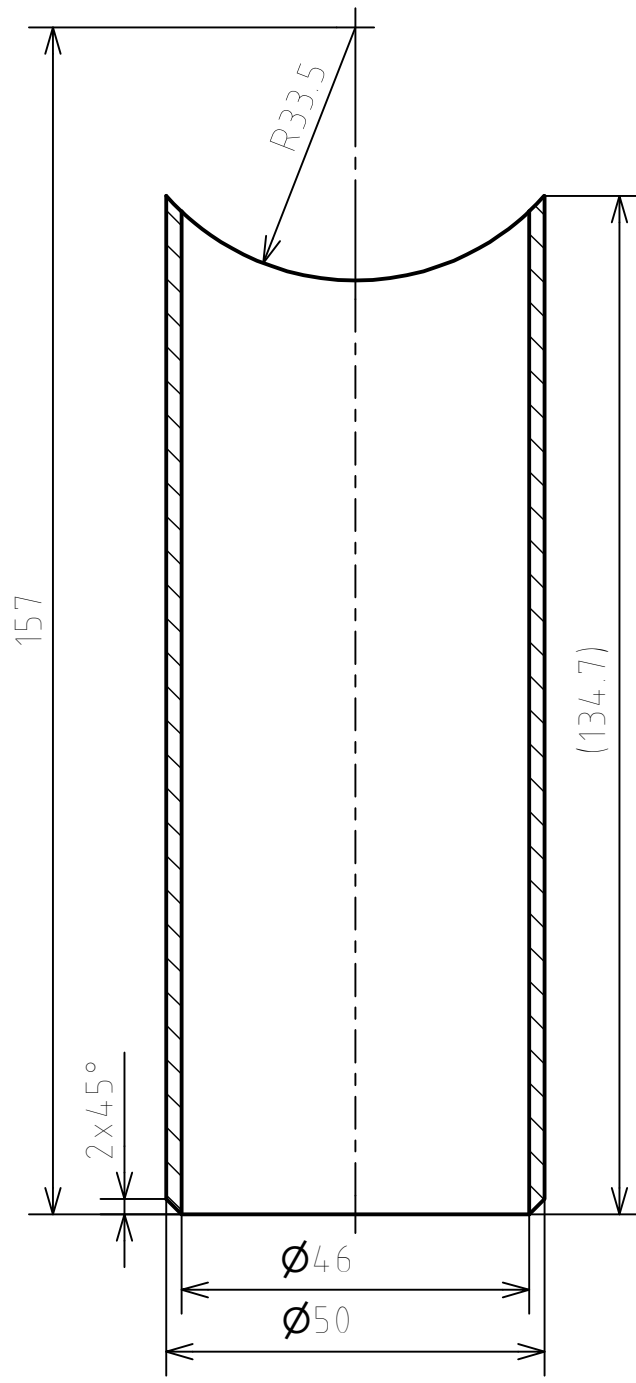
Surface finish:  Ra 6.3	Edges:	Scale 1:1	Precision ISO 2768-mK Toleration ISO 8015 Projection 
Material AISI 4340	Stock $\phi 18 \times 2-310$ ČSN EN 10216-5	Mass 0.23 kg	PROTECTED UNDER ISO 16016
	Document type PART DRAWING	Name LONGITUDINAL BRACE	
	Designed by JOZEF PAULINY	Document number 3-1-20	
	Approved by	Date 30,05,2014	
		Sheet /	



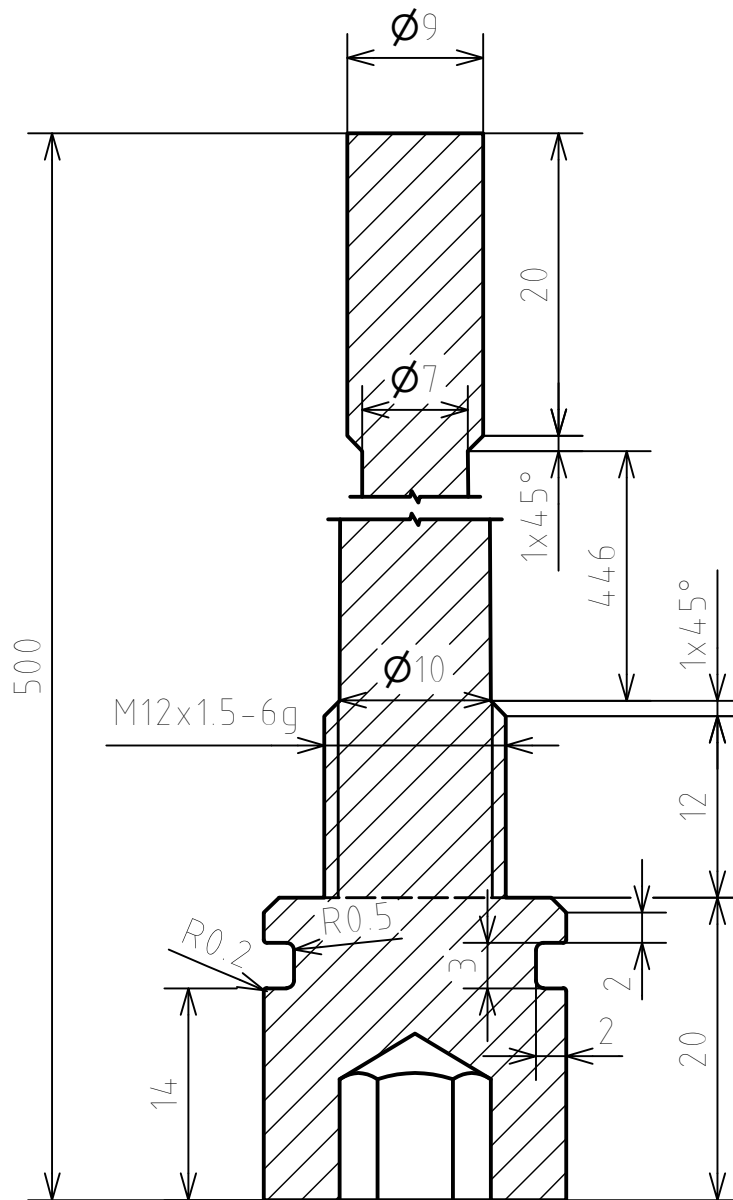
Surface finish:  Ra 6.3		Edges:		Scale 1:1		Precision ISO 2768-mK	
						Toleration ISO 8015	
						Projection 	
Material AISI 4340	Stock $\varnothing 67 \times 2.5 - 457$ ČSN EN 10216-5	Mass	1,82	kg	PROTECTED UNDER ISO 16016		
	Document type	PART DRAWING		Name			
	Designed by	JOZEF PAULINY		STEERING TUBE			
	Approved by			Document number			
	Date	30,05,2014		4-1-12			
						Sheet /	


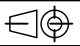



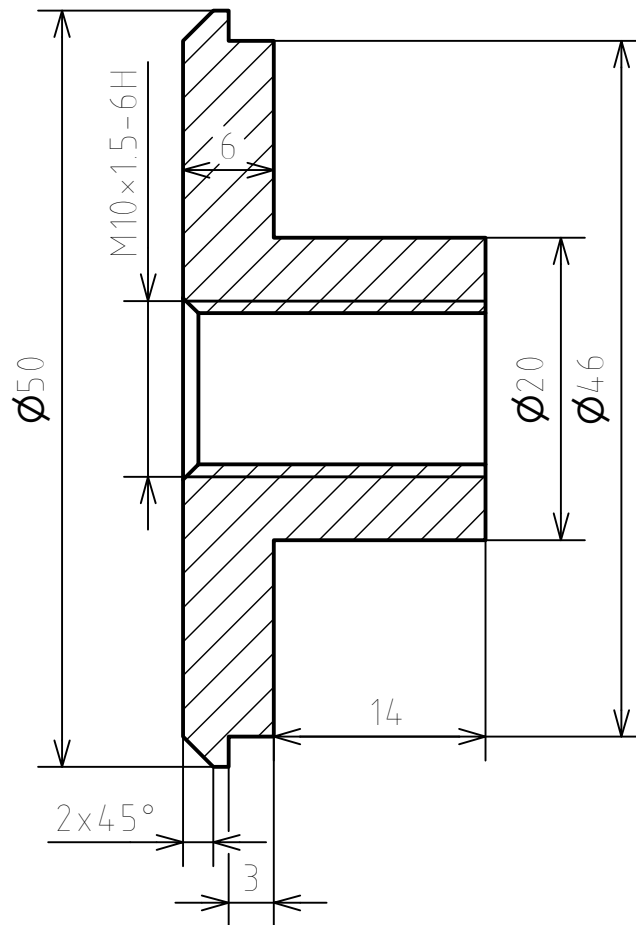
Surface finish:  Ra 6.3	Edges:	Scale 1:1	Precision ISO 2768-mK Toleration TOLEROVÁNÍ Projection 
Material AISI 4340	Stock $\varnothing 16 \times 2-150$ ČSN EN 10216-5	Mass 0,09 kg	PROTECTED UNDER ISO 16016
	Document type PART DRAWING	Name LATERAL BRACE	
	Designed by JOZEF PAULINY	Document number	
	Approved by	3-1-14	
Date 30,05,2014	Sheet /		


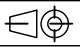



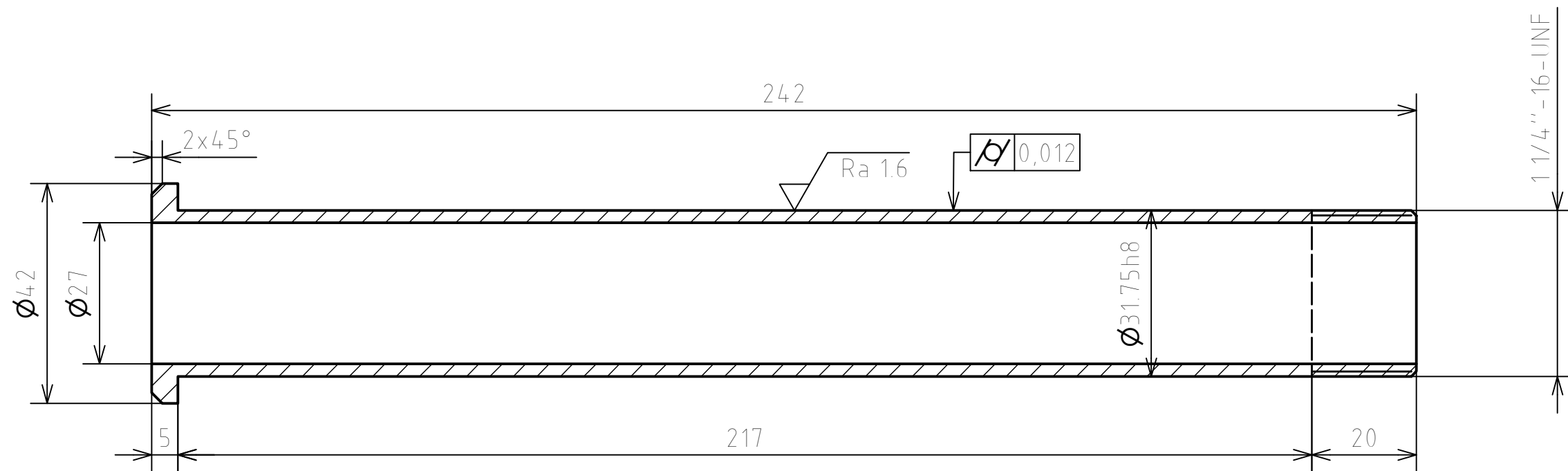
Surface finish: Ra 6.3		Edges:		Scale 1:1		Precision ISO 2768-mK	
						Toleration ISO 8015	
						Projection	
Material AISI 4340		Stock Ø50x2-140 ČSN EN 10216-5		Mass 0,3 kg		PROTECTED UNDER ISO 16016	
	Document type PART DRAWING			Name			
	Designed by JOZEF PAULINY			HORIZONTAL MOUNT			
	Approved by			Document number			
	Date 30,05,2014			4-1-12			
							Sheet /



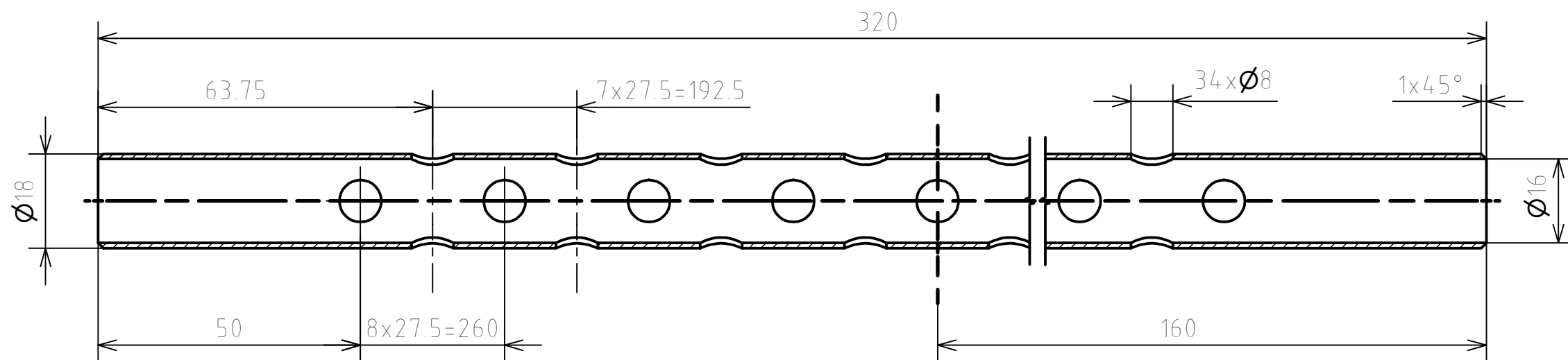
Surface finish:  Ra 6.3		Edges:	Scale 2:1	Precision ISO 2768-mK
				Tolerance ISO 8015
				Projection 
Material AISI 4340	Stock $\varnothing 20-500$ ČSN EN 10060	Mass	0.27 kg	PROTECTED UNDER ISO 16016
	Document type PART DRAWING	Name METERING ROD		
	Designed by JOZEF PAULINY	Document number 4-1-11		
	Approved by	Date 30,05,2014		
	Date 30,05,2014	Sheet /		

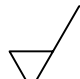
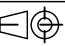



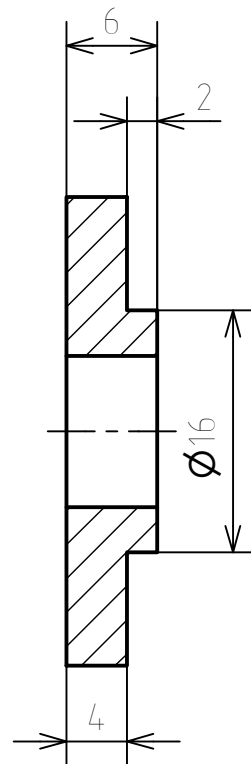
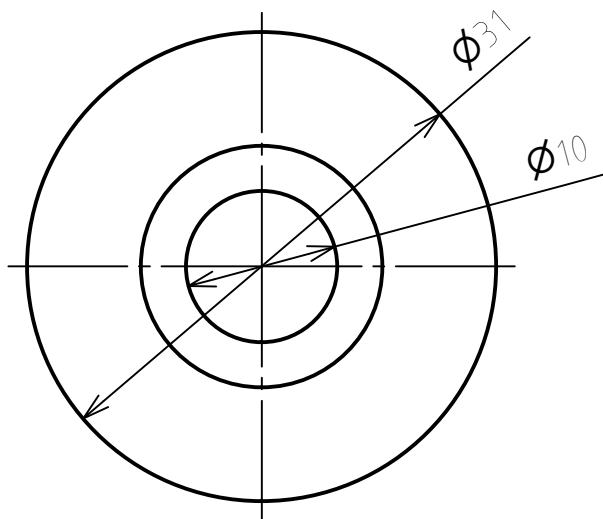
Surface finish:  Ra 6.3		Edges:		Scale 2:1		Precision ISO 2768-mK	
						Toleration ISO 8015	
						Projection 	
Material AISI 4340	Stock $\varnothing 50-20$ ČSN EN 10060	Mass	0.1	kg	PROTECTED UNDER ISO 16016		
	Document type	PART DRAWING		Name			
	Designed by	JOZEF PAULINY		MOUNT CAP			
	Approved by			Document number			
	Date	30,05,2014		4-1-15			
							Sheet /


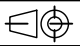



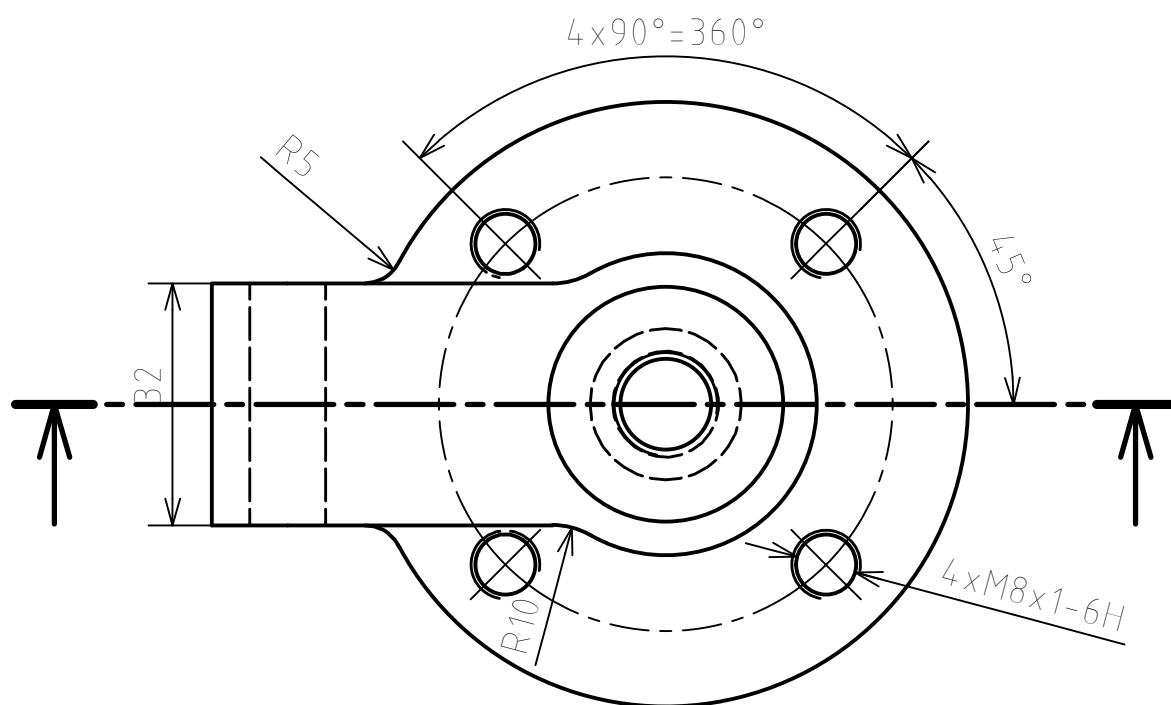
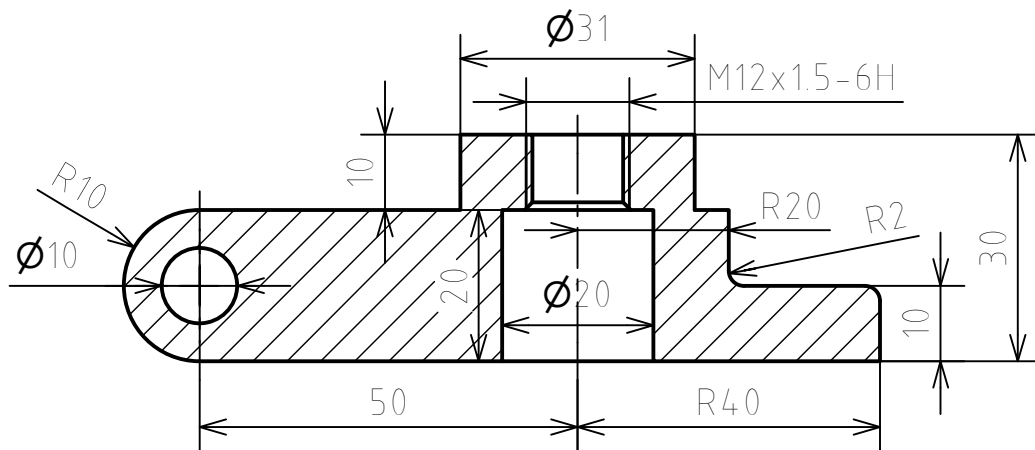
Surface finish: 6.3 (✓)	Edges: 0,3x45°	Scale: 1:1	Precision ISO 2768-mK
			Tolerances ISO 8015
			Projection
Material AISI 4340	Stock $\phi 42 \times 5 - 250$ ČSN 42 5715	Mass 0,44 kg	PROTECTED UNDER ISO 16016
	Document type PART DRAWING	Name NOSE WHEEL AXLE	
	Designed by JOZEF PAULINY		
	Approved by	Document number 3-1-01	
Date 30.05.2014			Sheet /


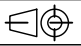



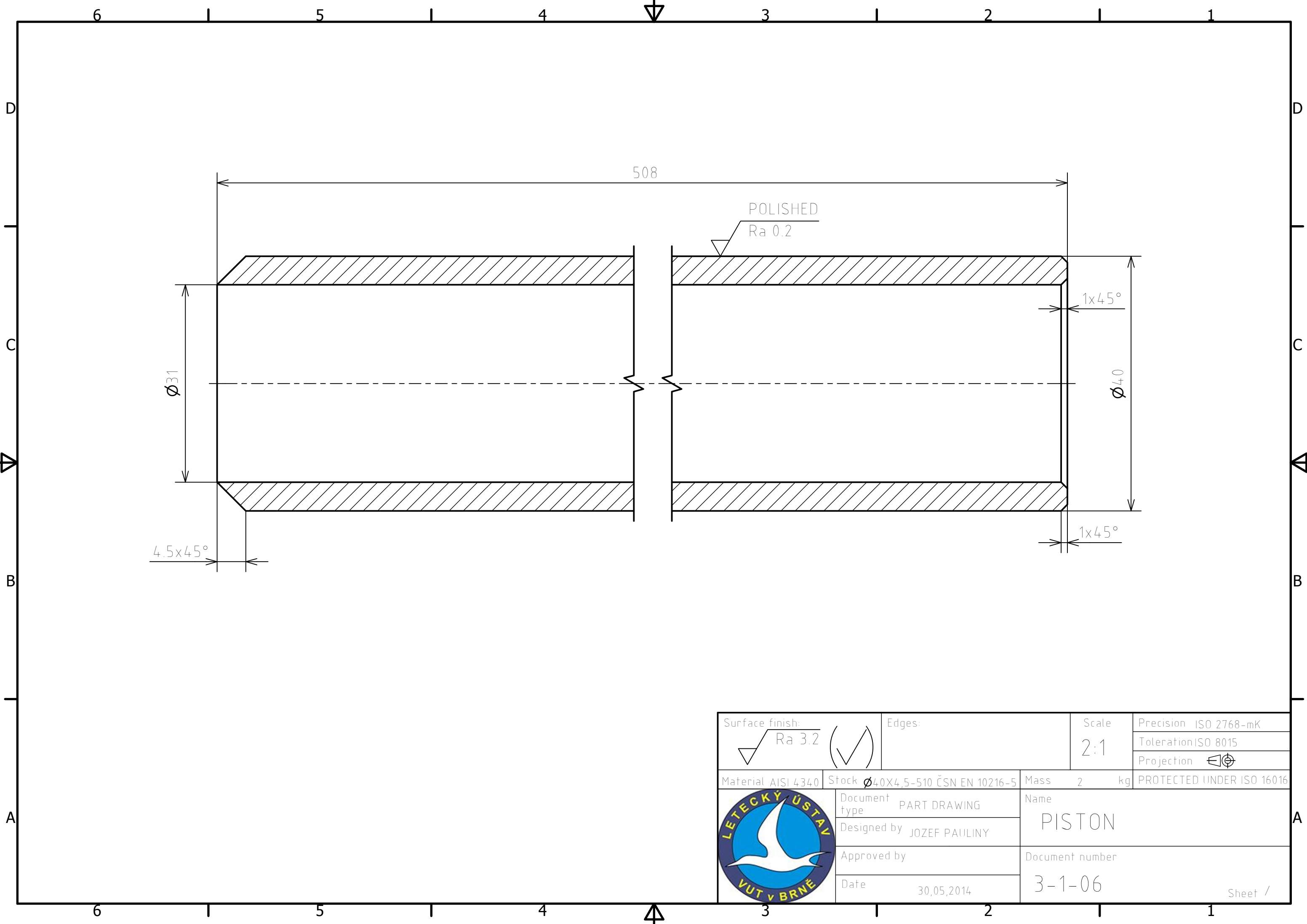
Surface finish:  Ra 3.2	Edges:	Scale 1:1	Precision ISO 2768-mK Toleration ISO 8015 Projection 
Material AISI 4340	Stock $\varnothing 18 \times 1-320$ ČSN EN 10216-5	Mass 0,16 kg	PROTECTED UNDER ISO 16016
	Document type PART DRAWING	Name ORIFICE SUPPORT TUBE	
	Designed by JOZEF PAULINY		
	Approved by	Document number 3-1-09	
Date 30,05,2014			Sheet /




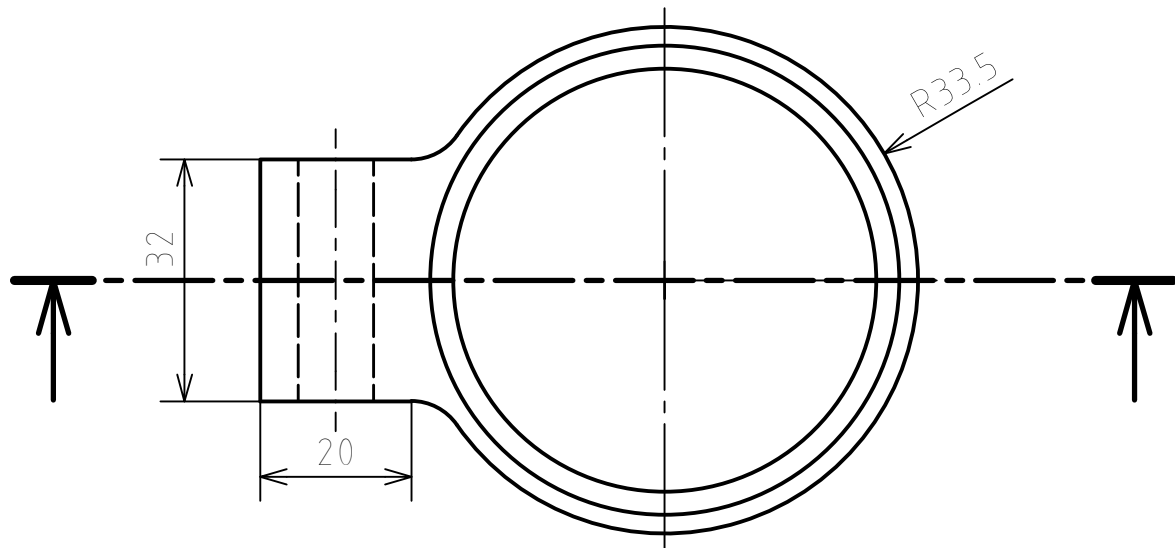
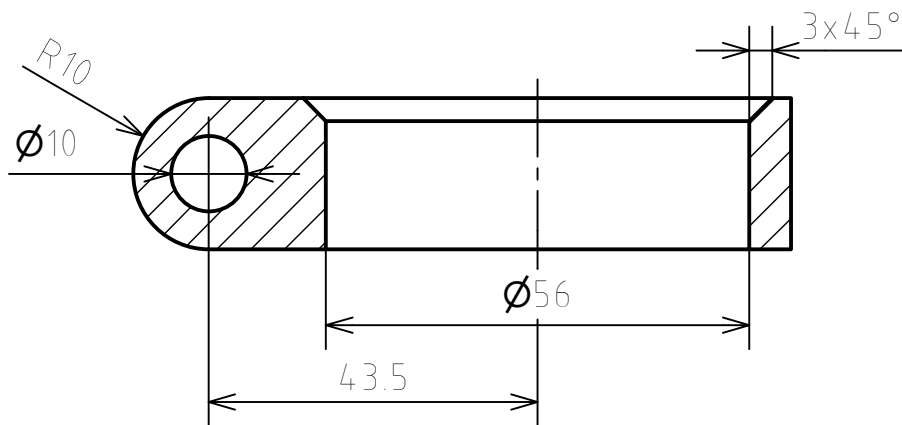
Surface finish:  Ra 3.2		Edges:		Scale 2:1		Precision ISO 2768-mK	
						Toleration ISO 8015	
						Projection 	
Material AISI 4340	Stock $\phi 35-10$ ČSN EN 10060	Mass	0,02 kg	PROTECTED UNDER ISO 16016			
	Document type	PART DRAWING		Name ORIFICE			
	Designed by	JOZEF PAULINY					
	Approved by			Document number 4-1-10			
	Date	30,05,2014					
							Sheet /



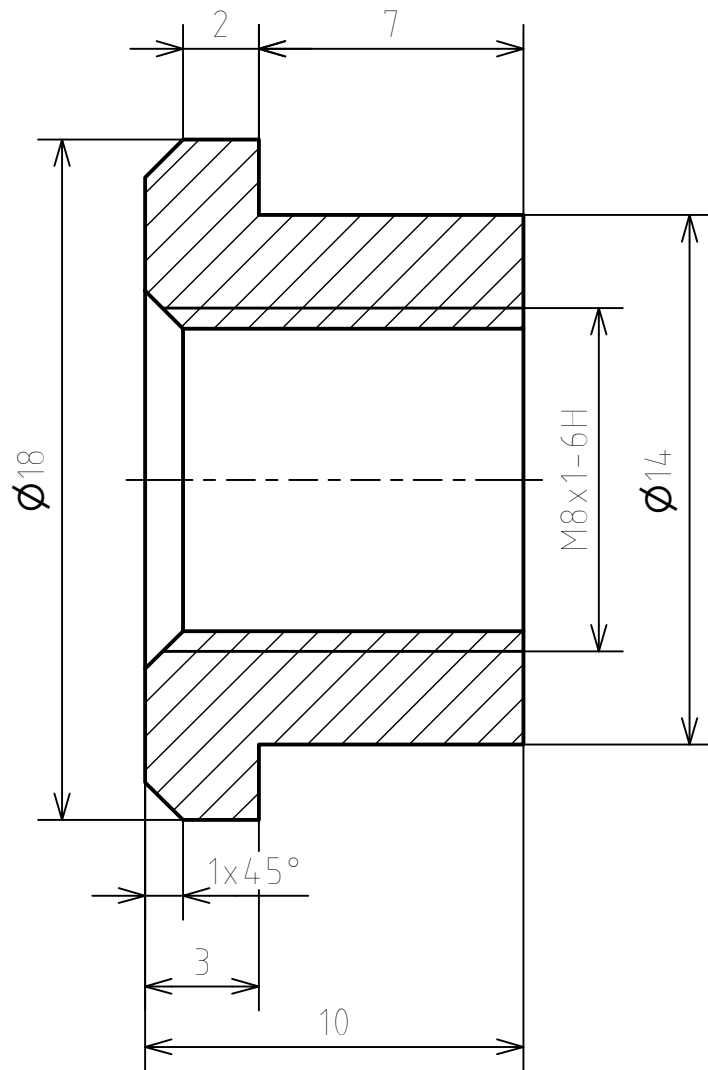
Surface finish:  Ra 6.3		Edges:	Scale 1:1	Precision ISO 2768-mK
				Tolerance ISO 8015
				Projection 
Material AISI 4340	Stock <input type="checkbox"/> 80X30-100 ČSN EN 10058	Mass 0.6 kg	PROTECTED UNDER ISO 16016	
	Document type PART DRAWING	Name PISTON BRACKET		
	Designed by JOZEF PAULINY	Document number		
	Approved by	4-1-05		
	Date 30,05,2014	Sheet /		


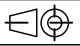



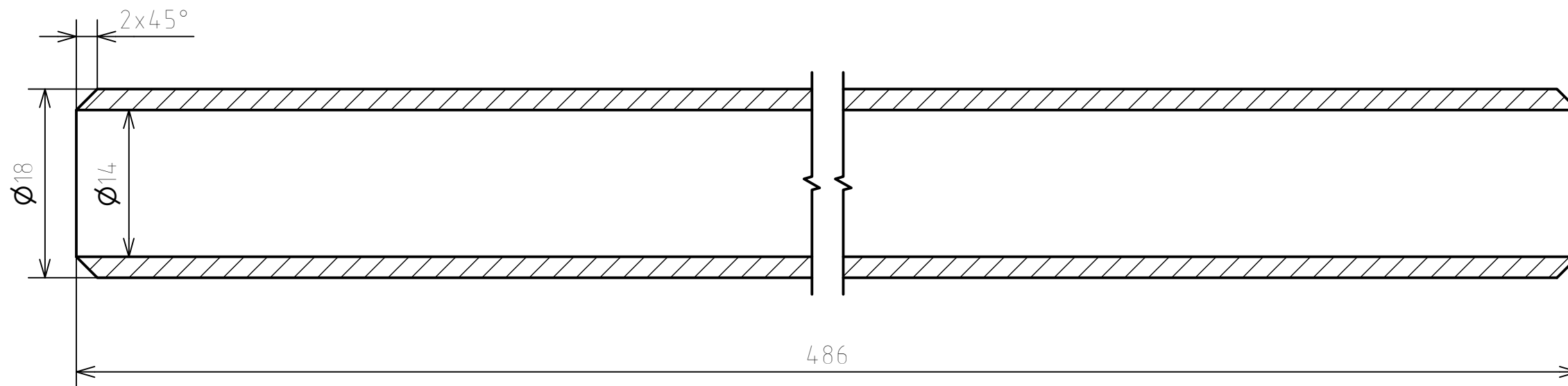
Surface finish: $\sqrt{Ra 3.2}$ (\checkmark)	Edges: \checkmark	Scale: 2:1	Precision ISO 2768-mK
			Tolerance ISO 8015
			Projection A
Material AISI 4340	Stock $\varnothing 40 \times 4.5 - 510$ ČSN EN 10216-5	Mass 2 kg	PROTECTED UNDER ISO 16016
	Document type: PART DRAWING	Name: PISTON	
	Designed by: JOZEF PAULINY		
	Approved by:	Document number:	
Date: 30,05,2014		3-1-06	
			Sheet /

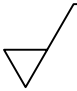




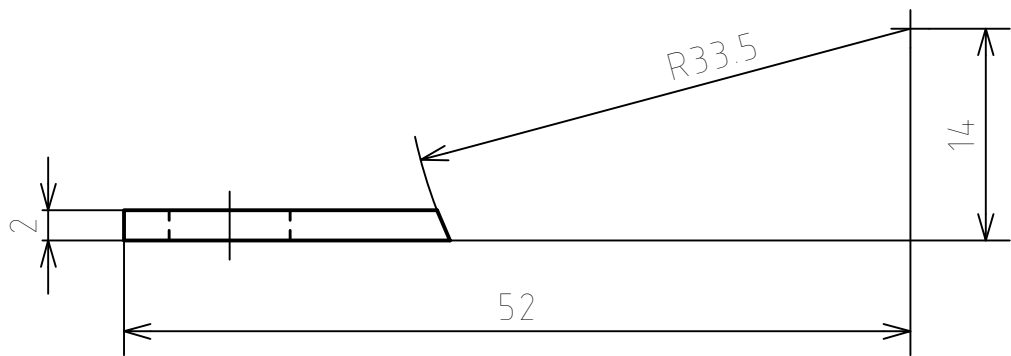
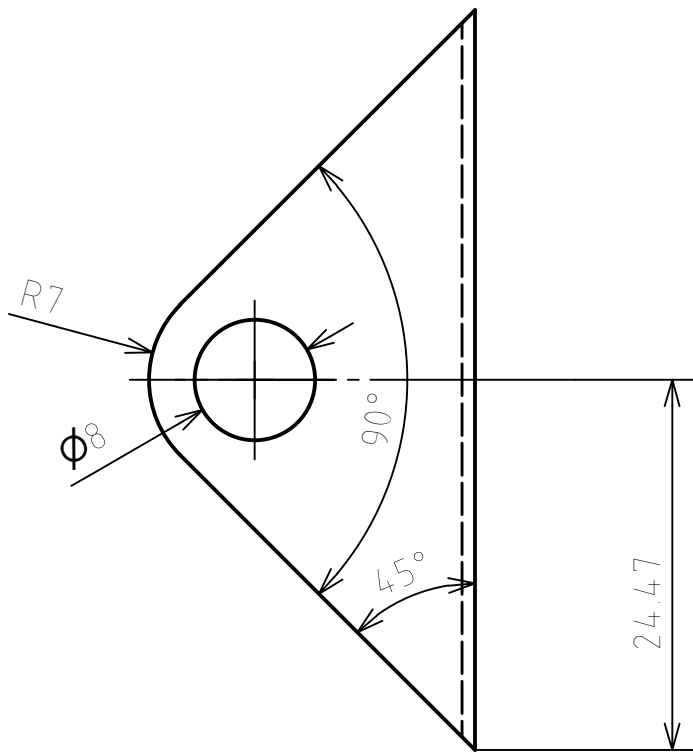
Surface finish: Ra 6.3		Edges:		Scale 1:1		Precision ISO 2768-mK	
						Toleration ISO 8015	
						Projection	
Material AISI 4340	Stock <input type="checkbox"/> 70X20-80 ČSN EN 10058	Mass 0.24 kg		PROTECTED UNDER ISO 16016			
	Document type PART DRAWING			Name SCISSOR BRACKET			
	Designed by JOZEF PAULINY			Document number			
	Approved by			4-1-23			
	Date 30,05,2014			Sheet /			


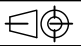



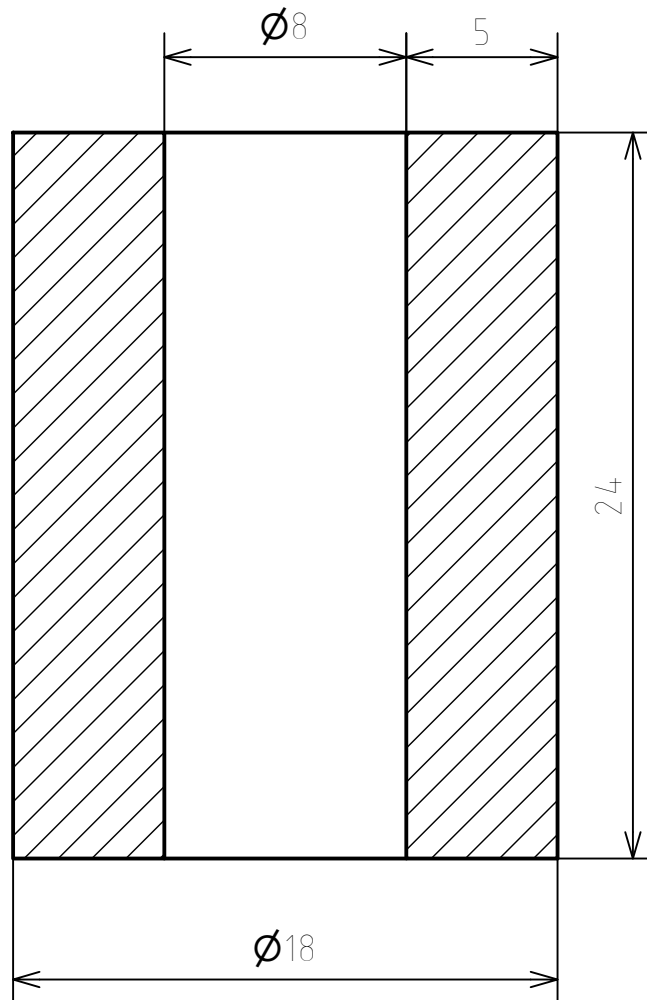
Surface finish:  Ra 6.3		Edges:		Scale 5:1		Precision ISO 2768-mK	
						Toleration ISO 8015	
						Projection 	
Material AISI 4340	Stock $\varnothing 18-10$ ČSN EN 10060	Mass	0.01 kg	PROTECTED UNDER ISO 16016			
	Document type	PART DRAWING		Name			
	Designed by	JOZEF PAULINY		MOUNT CAP			
	Approved by			Document number			
	Date	30,05,2014		4-1-21			
							Sheet /


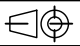



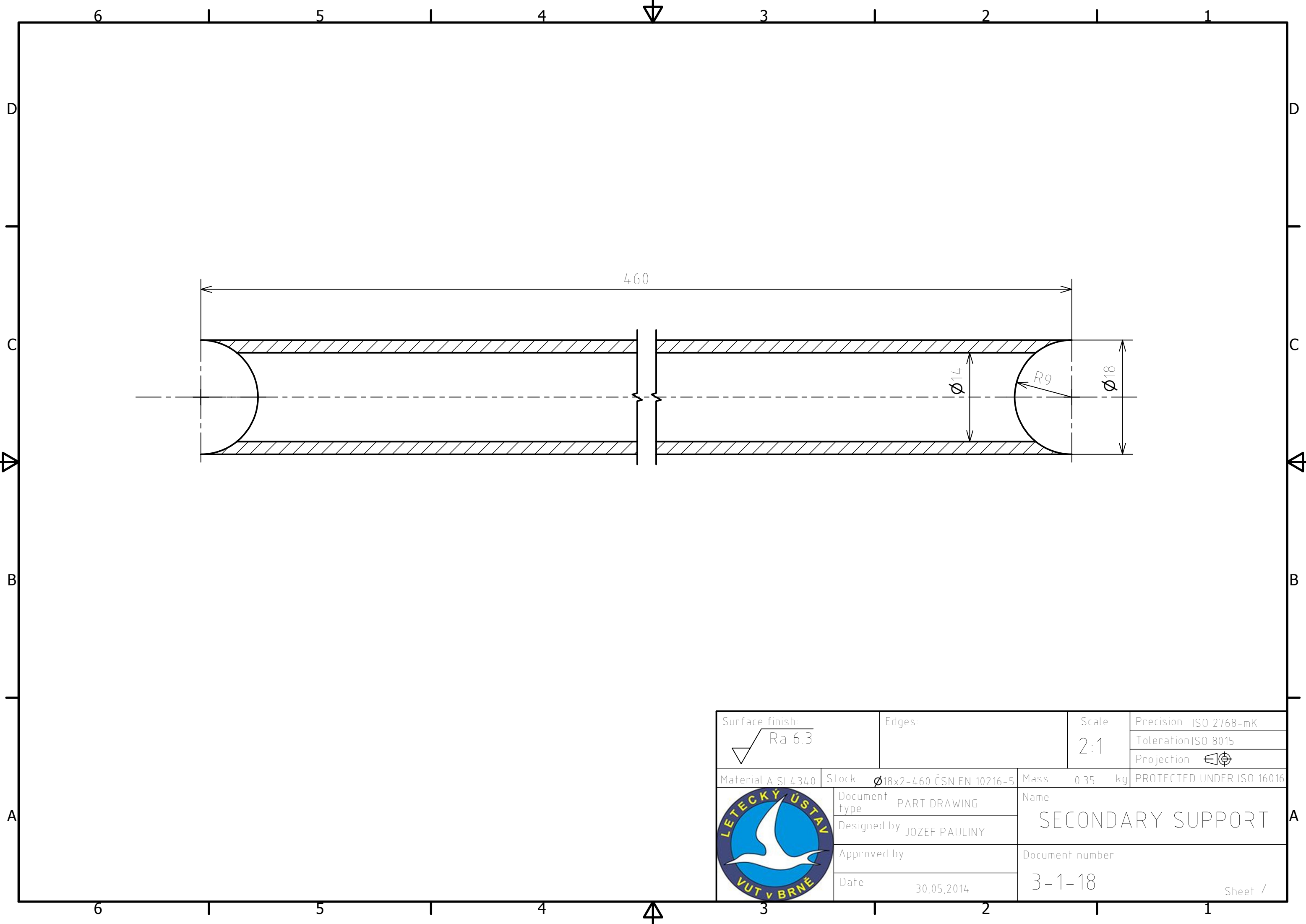
Surface finish:  Ra 6.3	Edges:	Scale 2:1	Precision ISO 2768-mK Toleration ISO 8015 Projection 
Material AISI 4340	Stock $\varnothing 18 \times 2-460$ ČSN EN 10216-5	Mass 0.35 kg	PROTECTED UNDER ISO 16016
	Document type PART DRAWING	Name SECONDARY SUPPORT	
	Designed by JOZEF PAULINY		
	Approved by	Document number 3-1-19	
Date 30,05,2014			Sheet /

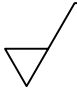
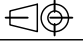



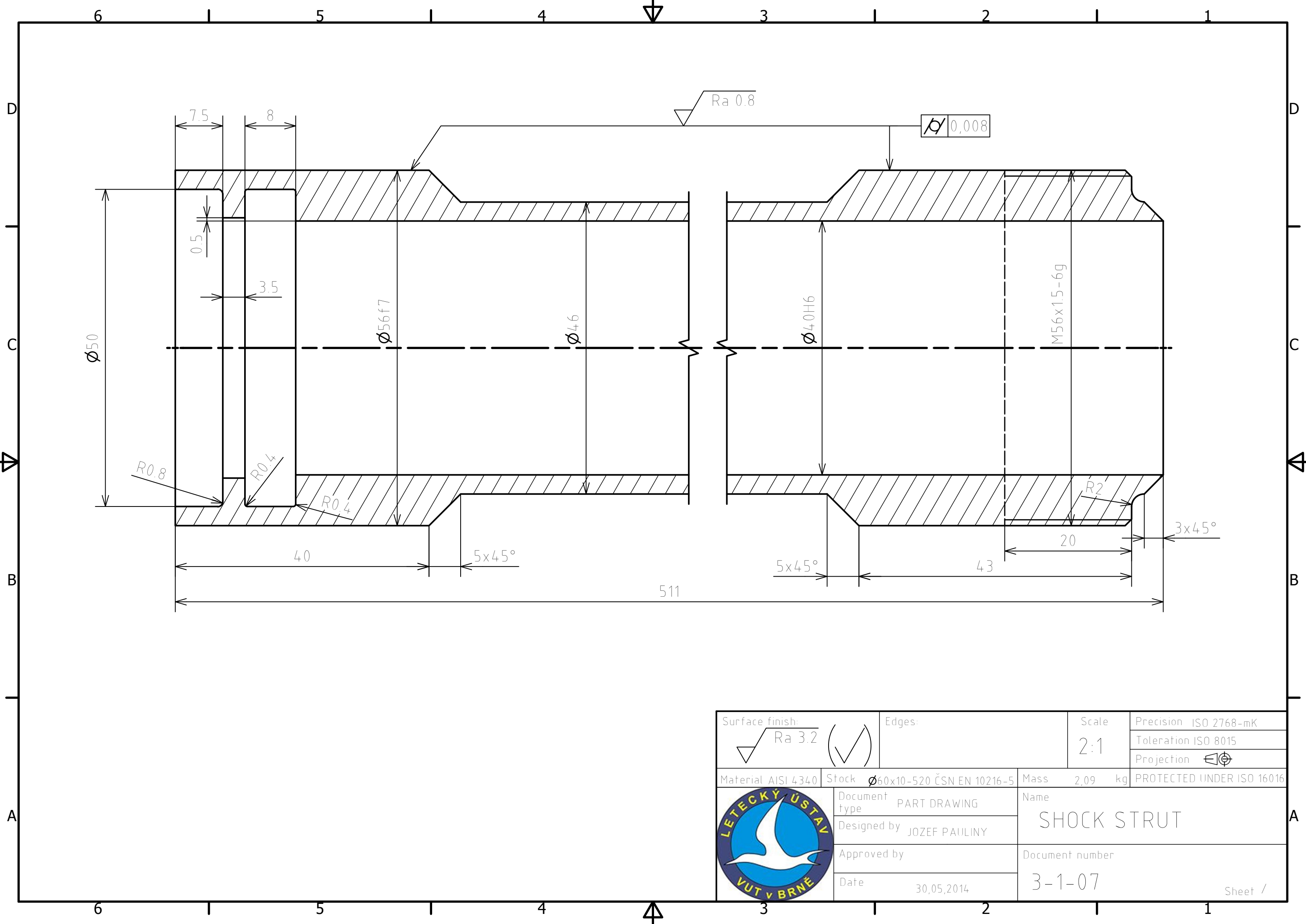
Surface finish:  Ra 6.3		Edges:		Scale 2:1		Precision ISO 2768-mK	
						Toleration ISO 8015	
						Projection 	
Material AISI 4340	Stock <input type="checkbox"/> 40X2-40 ČSN EN 10058	Mass 0,01 kg		PROTECTED UNDER ISO 16016			
	Document type PART DRAWING		Name SECONDARY BRACKET				
	Designed by JOZEF PAULINY		Document number				
	Approved by		4-1-16				
	Date 30,05,2014		Sheet /				



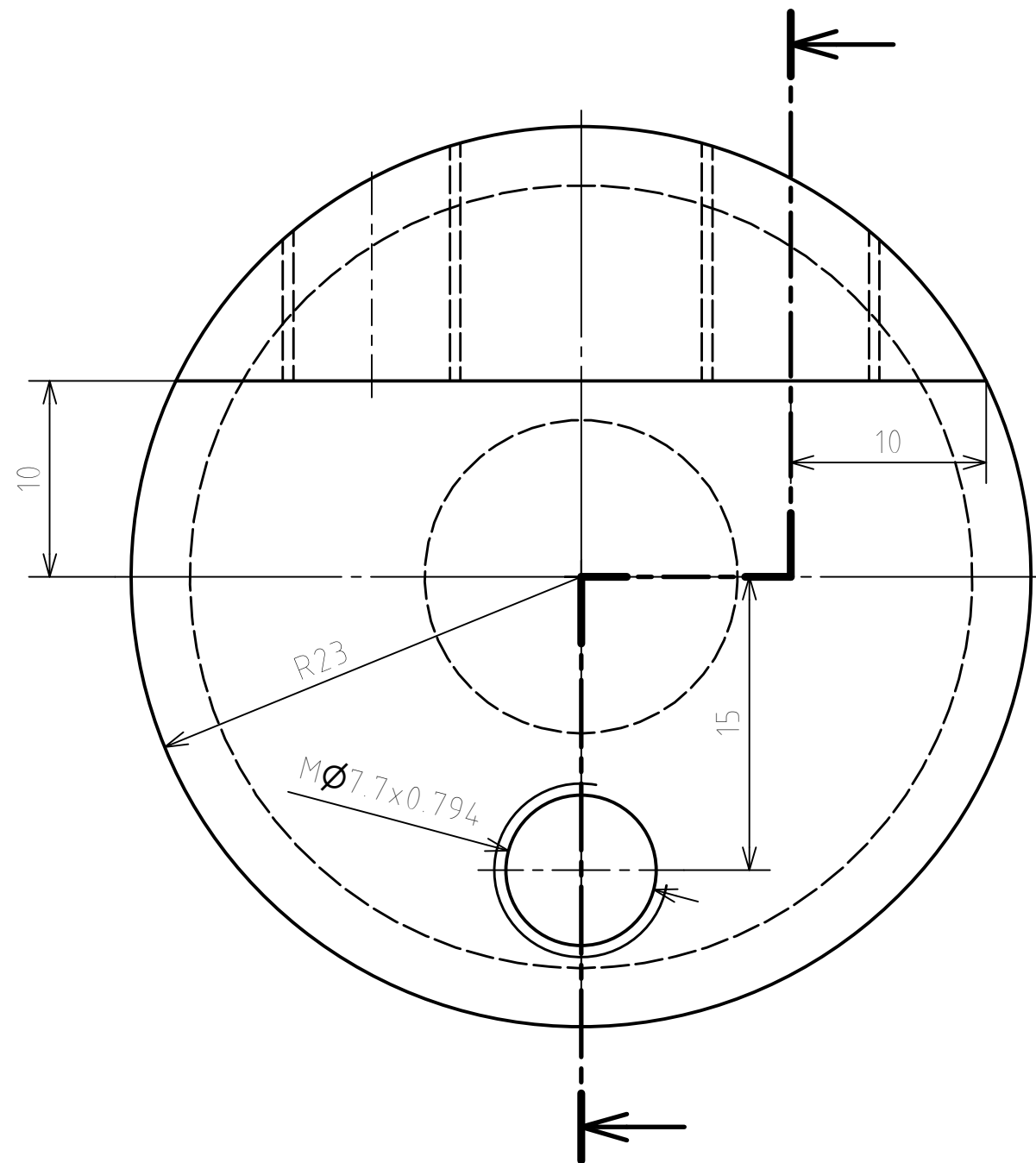
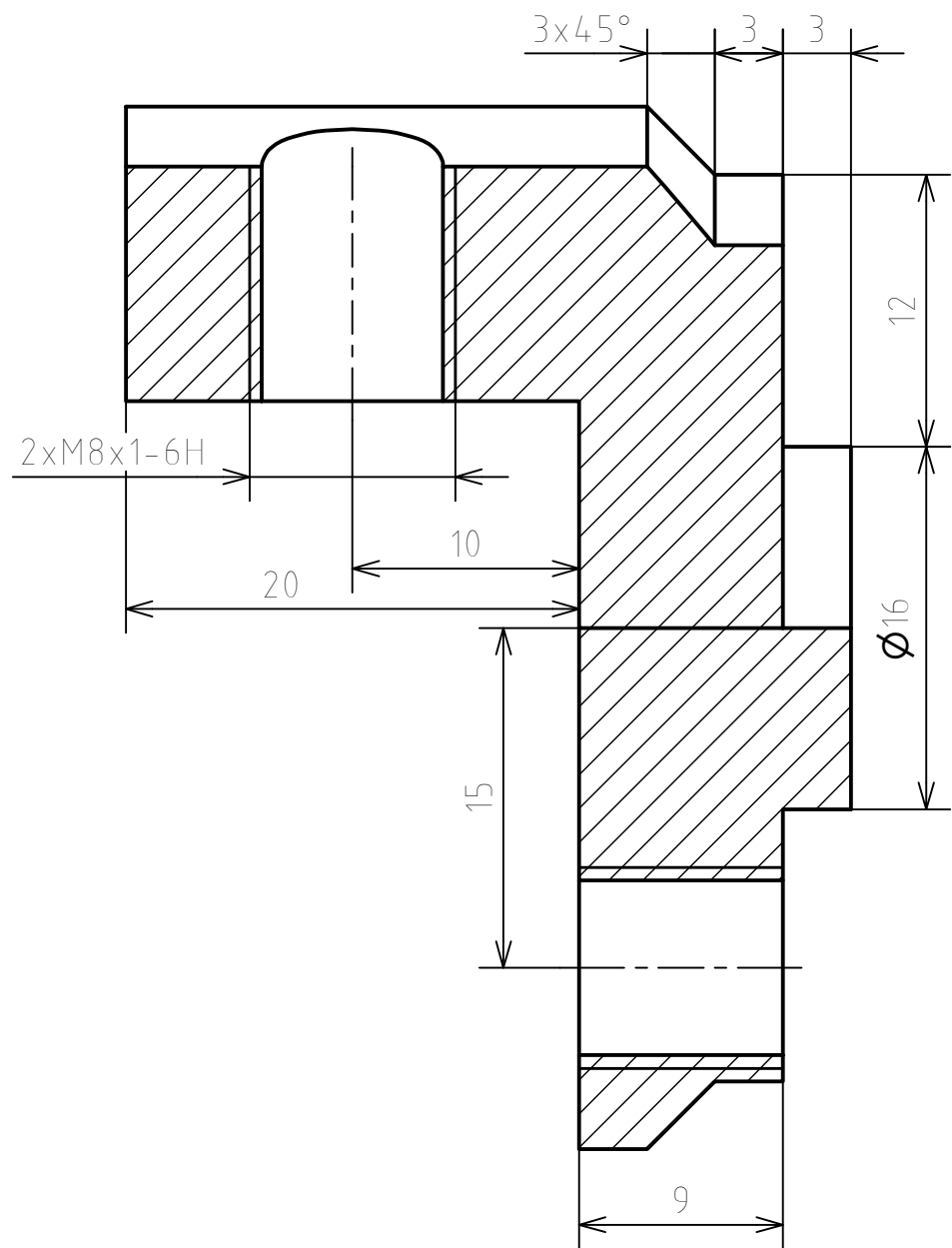
Surface finish:  Ra 6.3		Edges:		Scale 4:1		Precision ISO 2768-mK	
						Toleration ISO 8015	
						Projection 	
Material AISI 4340	Stock	$\varnothing 18 \times 5 - 25$ ČSN EN 10216-5		Mass	0.04 kg	PROTECTED UNDER ISO 16016	
	Document type PART DRAWING			Name			
	Designed by JOZEF PAULINY			SECONDARY PIVOT			
	Approved by			Document number			
	Date 30,05,2014			4-1-17			
							Sheet /


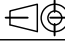



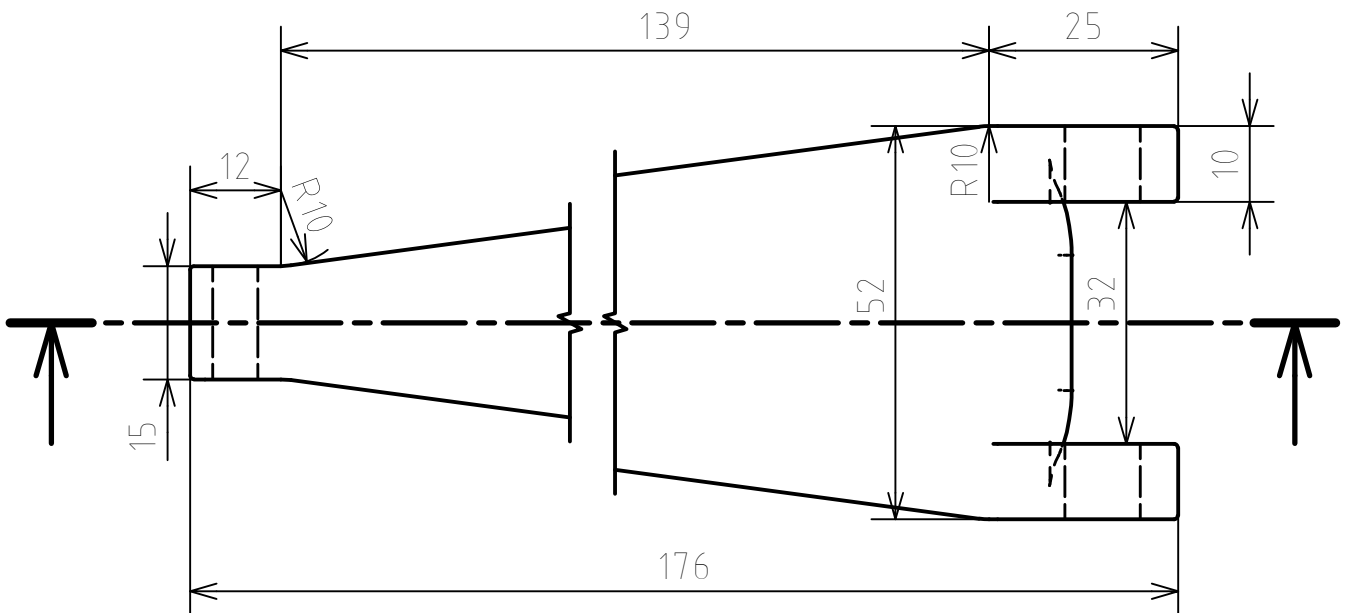
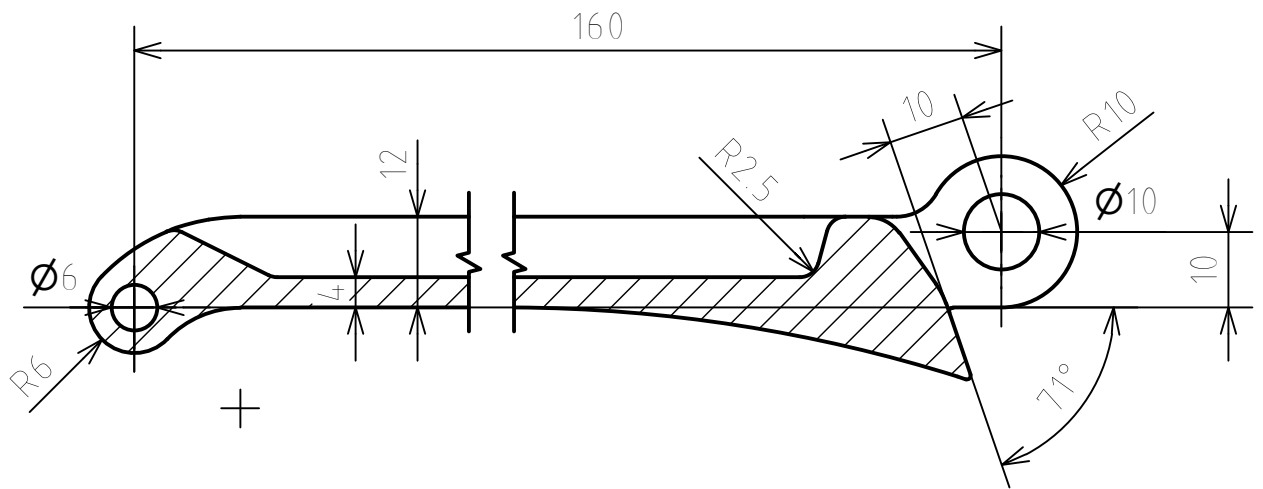
Surface finish:  Ra 6.3	Edges:	Scale 2:1	Precision ISO 2768-mK Toleration ISO 8015 Projection 
Material AISI 4340	Stock $\varnothing 18 \times 2 - 460$ ČSN EN 10216-5	Mass 0.35 kg	PROTECTED UNDER ISO 16016
	Document type PART DRAWING	Name SECONDARY SUPPORT	
	Designed by JOZEF PAULINY		
	Approved by	Document number 3-1-18	
Date 30,05,2014			Sheet /



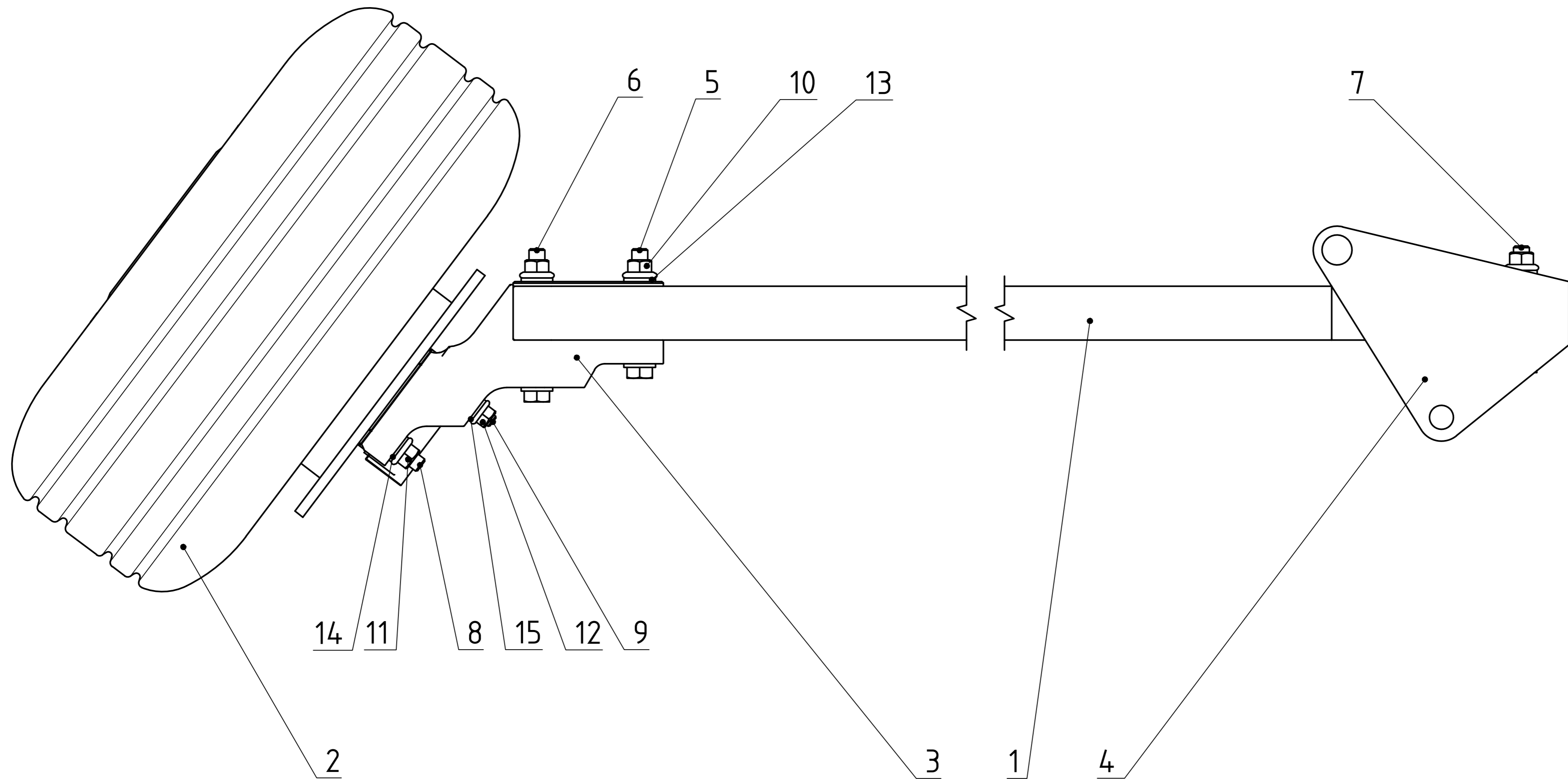
Surface finish: Ra 3.2 (✓)	Edges: (✓)	Scale: 2:1	Precision ISO 2768-mK
			Toleration ISO 8015
			Projection
Material AISI 4340	Stock Ø60x10-520 ČSN EN 10216-5	Mass 2,09 kg	PROTECTED UNDER ISO 16016
	Document type: PART DRAWING	Name: SHOCK STRUT	
	Designed by: JOZEF PAULINY	Document number:	
	Approved by:	3-1-07	
Date: 30,05,2014			Sheet /




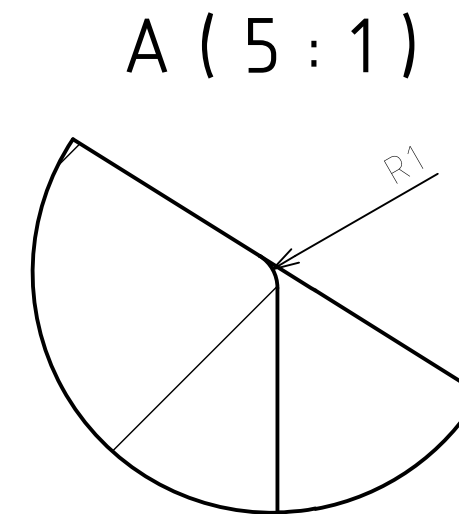
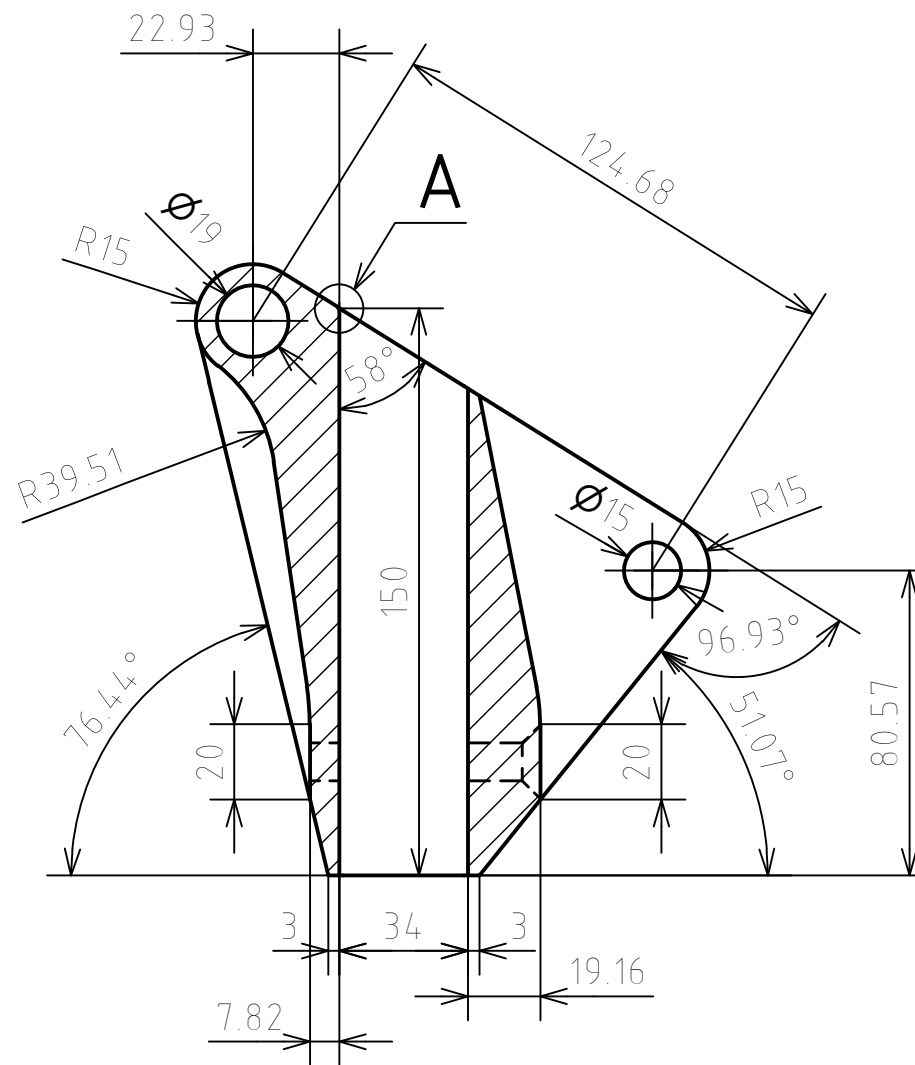
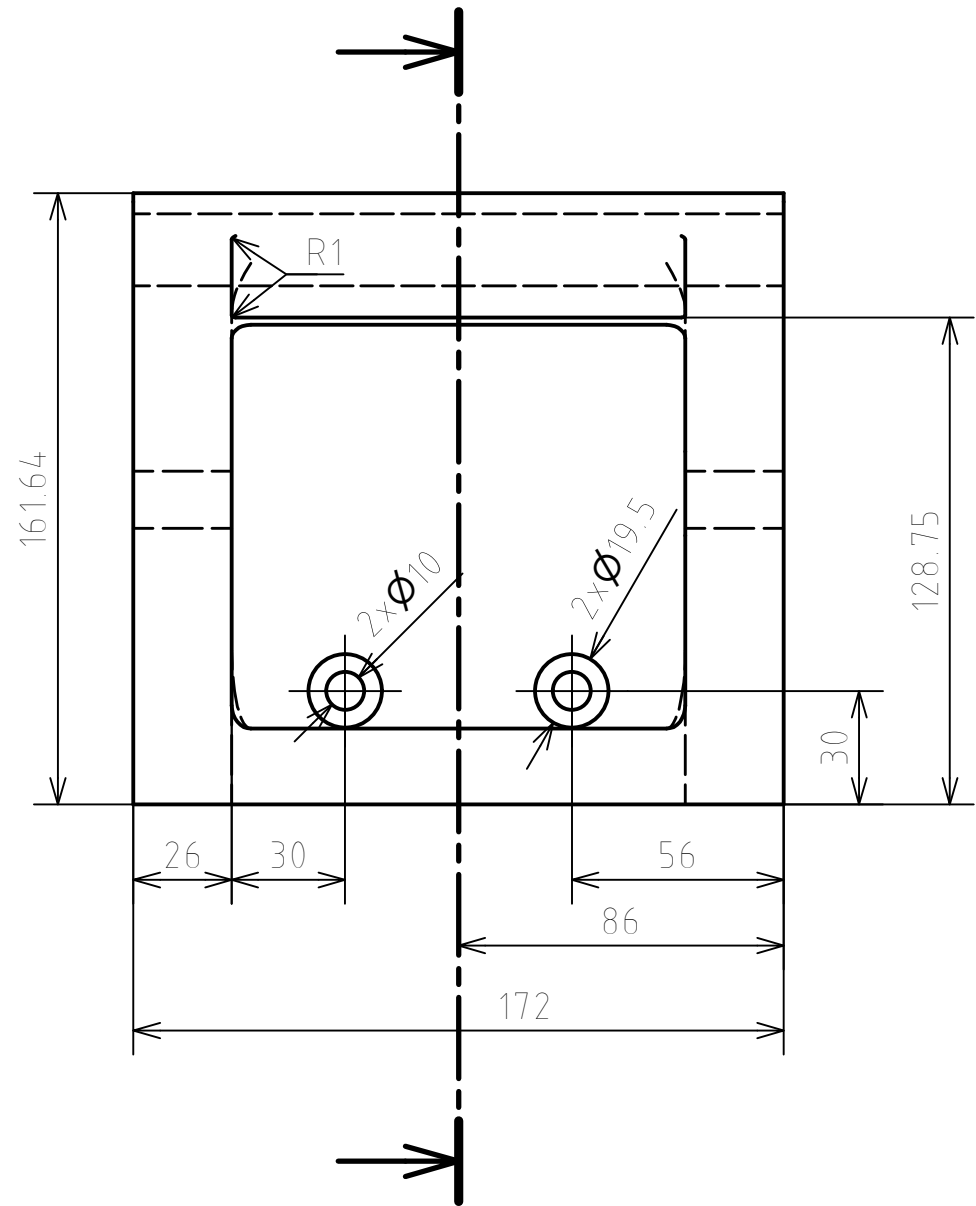
Surface finish:  Ra 6.3	Edges: 0,3x45°	Scale 2:1	Precision ISO 2768-mK
			Tolerances ISO 8015
			Projection 
Material AISI 4340	Stock Ø4-32 ČSN EN 10060	Mass 0,55 kg	PROTECTED UNDER ISO 16016
	Document type PART DRAWING	Name TOP CAP	
	Designed by JOZEF PAULINY		
	Approved by	Document number	
Date 30,05,2014	3-1-08		Sheet /



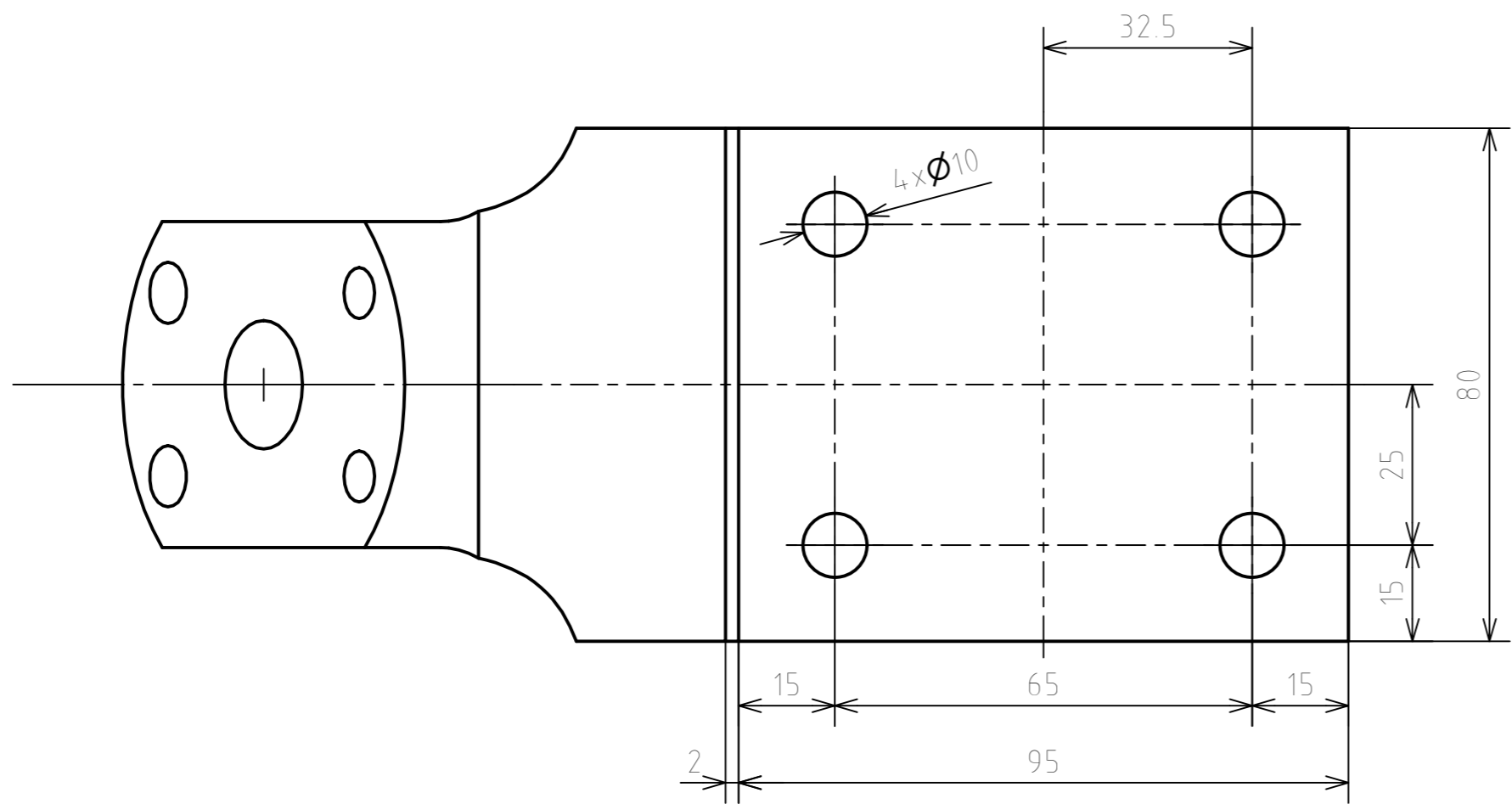
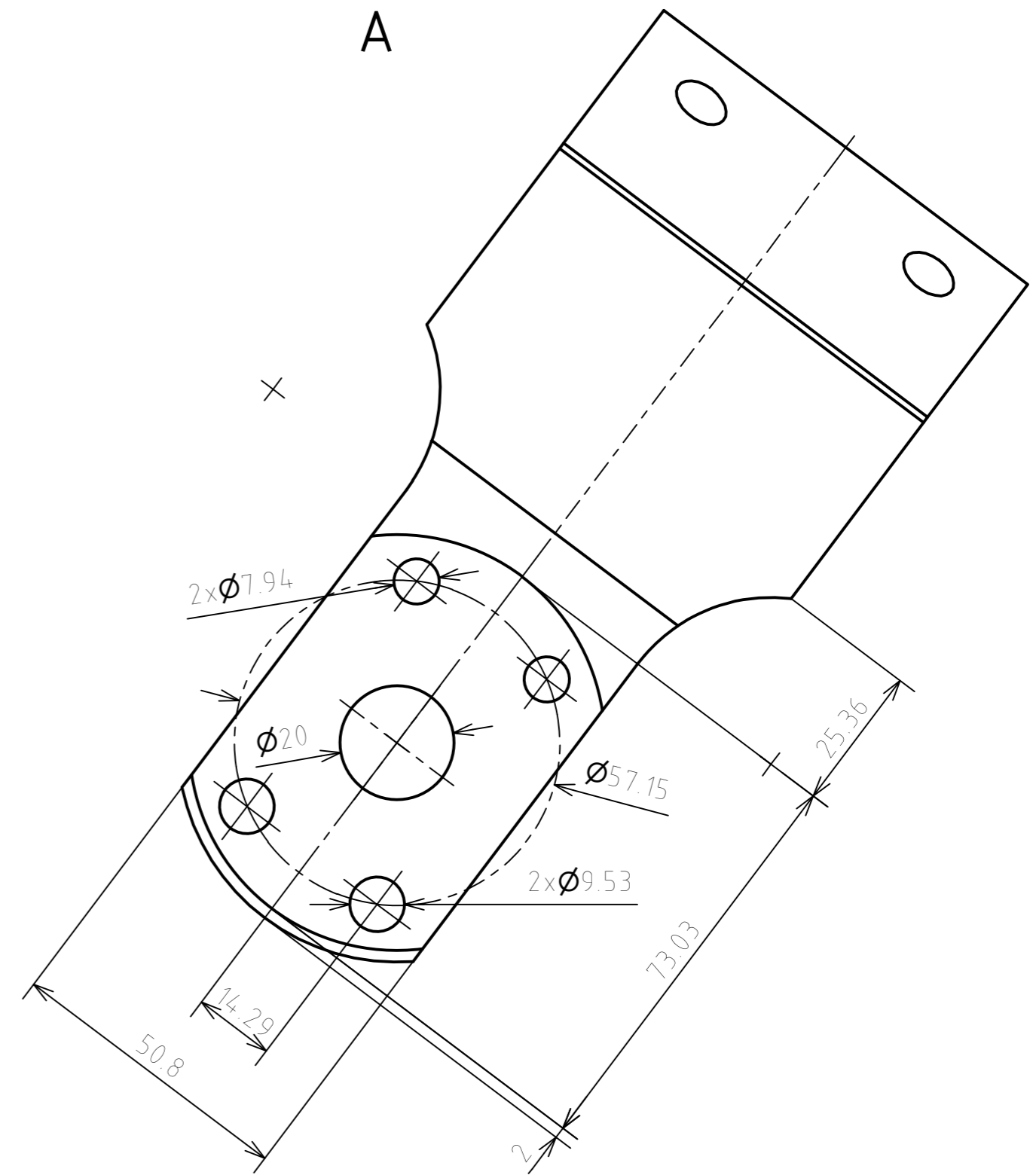
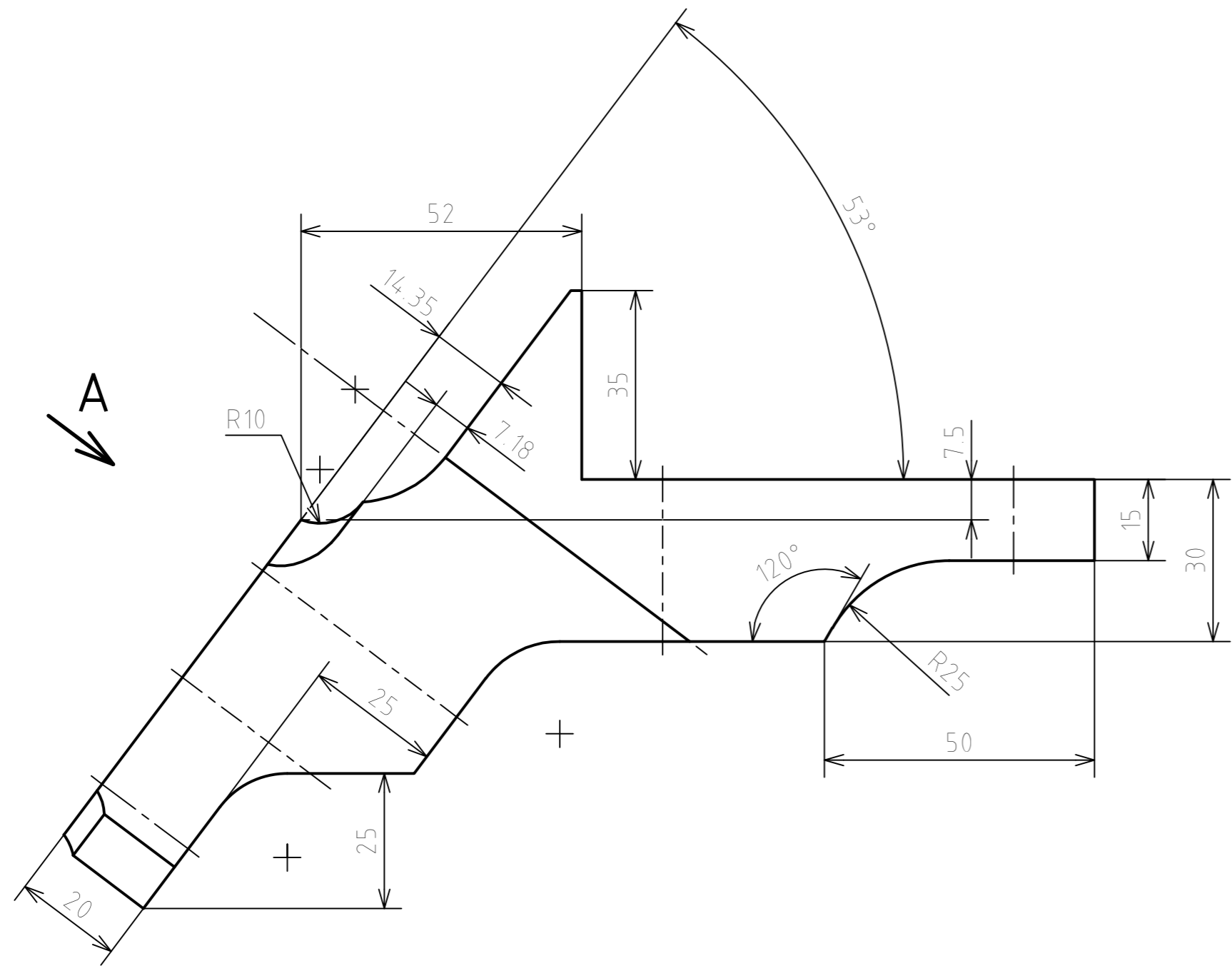
Surface finish: Ra 6.3		Edges:		Scale 1:1		Precision ISO 2768-mK	
						Toleration ISO 8015	
						Projection	
Material ASM 2024	Stock \square 60X30-180 ČSN EN 755-4	Mass	0.14 kg	PROTECTED UNDER ISO 16016			
	Document type PART DRAWING			Name TOP SCISSOR			
	Designed by JOZEF PAULINY			Document number			
	Approved by			4-1-24			
	Date 30,05,2014			Sheet /			



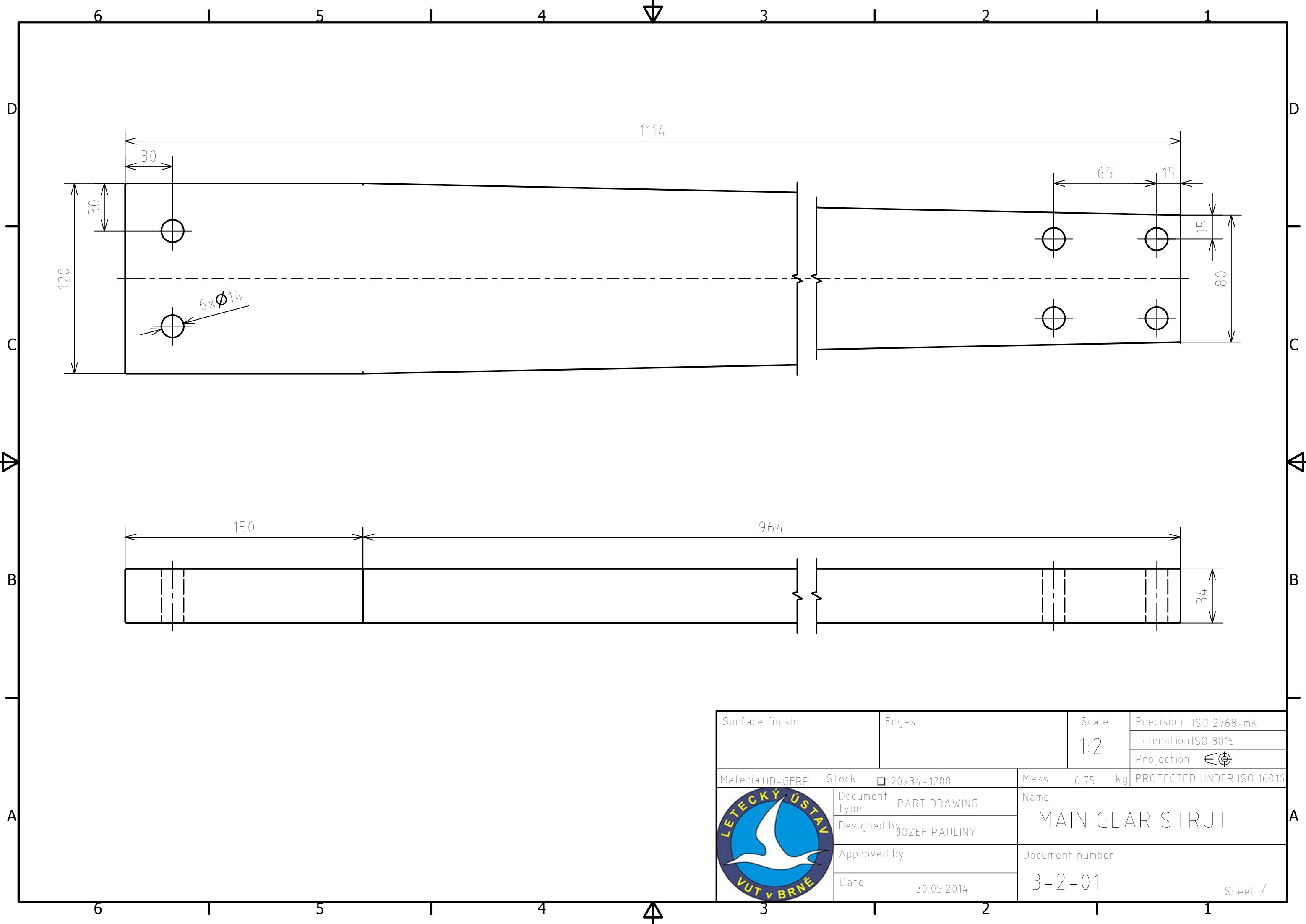
Surface finish:		Edges:		Scale 1:2	Precision Toleration Projection
Material	Stock	Mass	20 kg	PROTECTED UNDER ISO 16016	
		Document type	ASSEMBLY DRAWING		Name
		Designed by	JOZEF PAULINY		MAIN LANDING GEAR
		Approved by			Document number
		Date	30.05.2014		2-2-000
					Sheet /



Surface finish: 6.3	Edges:	Scale 1:2	Precision ISO 2768-mK Toleration ISO 8015 Projection
Material ASM 2024	Stock 170x150-180 ČSN EN 755-4	Mass 3.1 kg	PROTECTED UNDER ISO 16016
	Document type PART DRAWING	Name TOP BRACKET	
	Designed by JOZEF PAULINY		
	Approved by	Document number 3-2-03	
Date 30.05.2014			Sheet /



Surface finish:	Edges:	Scale 1:1	Precision ISO 2768-mK Toleration ISO 8015 Projection
Material ASM 2024	Stock 120x100-200 ČSN EN 755-4	Mass 1.03 kg	PROTECTED UNDER ISO 16016
	Document type PART DRAWING	Name BOTTOM BRACKET	
	Designed by JOZEF PAULINY		
	Approved by	Document number 3-2-02	
Date 30.05.2014			Sheet /



Surface finish:	Edges:	Scale 1:2	Precision ISO 2768-mK
			Tolerances ISO 8015
			Projection
Material ID-GFRP	Stock <input type="checkbox"/> 120x34-1200	Mass 6.75 kg	PROTECTED UNDER ISO 16016
	Document type PART DRAWING	Name MAIN GEAR STRUT	
	Designed by JOZEF PAULINY		
	Approved by	Document number 3-2-01	
Date 30.05.2014			Sheet /